

Coaxial and right-angle planetary reducers with coupling flange for mechanical and electronic position indicators

RDE40-OP_-FKE_ RDE405-OP_-FKE_

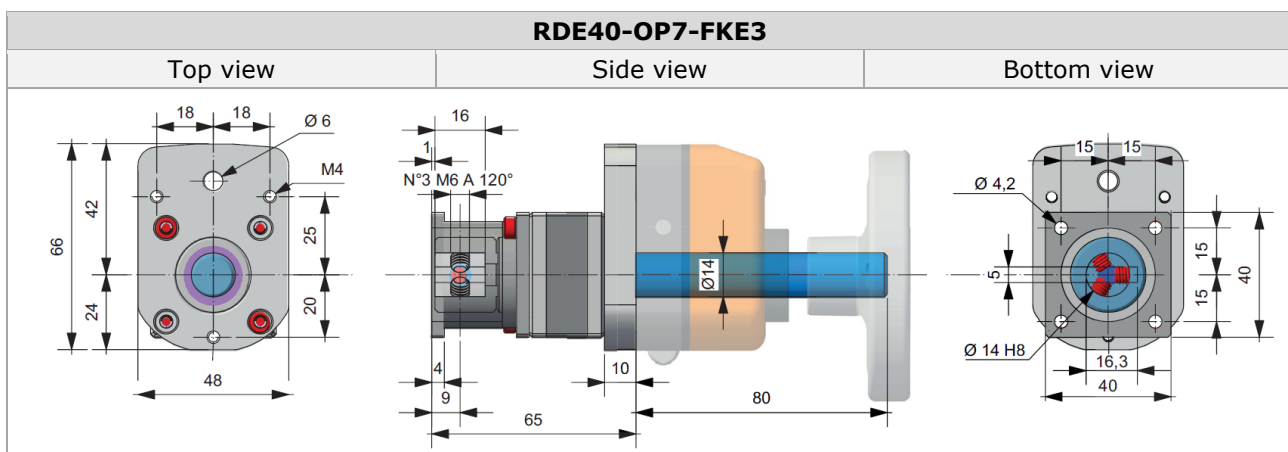
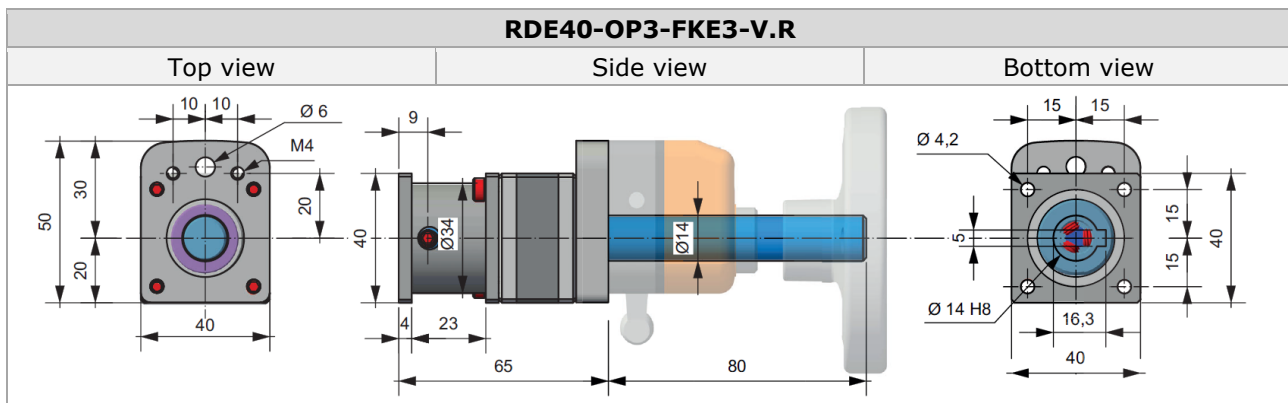
Datasheet



Features at a glance

- Coaxial or right-angle planetary reducer with mechanical position indicator type OP3-OP7 or electronic position indicator type EP7.
- Coupling flange on the position indicator guarantees secure clamping of the shaft.
- High torque transmission with minimal dimensions.
- Speed reduction and torque increase.
- Single- or multi-stage (up to 3) with a wide choice of reduction ratios: the modular system combines the advantages of standardization with a high degree of customization.
- Silent operation, reliability, and high performance.
- Can be mounted horizontally and vertically.
- Clockwise and counter-clockwise rotation for alternating and continuous operation.

Versions and dimensions



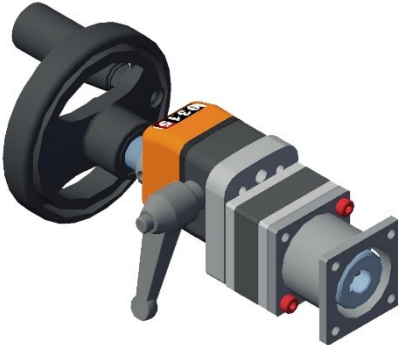





All dimensions in mm.

Coaxial and right-angle planetary reducers with coupling flange for mechanical and electronic position indicators

RDE40-OP_-FKE_ RDE405-OP_-FKE_

Datasheet

Combination examples

RDE40-OP3-FKE3-V.R	RDE40-EP7-FKE6-V.R	RDE405-A-OP3-FKE3-V.R
		
RDE40 1-stage, suitable for mechanical position indicator type OP3	RDE40 1-stage, suitable for electronic position indicator type EP7	RDE405 Version A 1-stage, suitable for mechanical position indicator type OP3
RDE405-D-OP7-FKE3-V.R	RDE405-D-OP7-FKE3-V.R	RDE405-A-OP3-FKE3-V.R
		
RDE405 Version D 1-stage, suitable for mechanical position indicator type OP7	RDE405 Version D 1-stage, suitable for mechanical position indicator type OP7	RDE405 Version A 1-stage, suitable for mechanical position indicator type OP3



For a correct selection, see specifications in the data sheets of the coaxial planetary reducers type **RDE40** and right-angle planetary reducers type **RDE405** as well as the data sheets of the mechanical position indicator with through hollow shaft type **OP3 - OP7** and freely programmable electronic position indicator type **EP7**.

Manufacturer: **FIAMA**
since 1913