

Datasheet

Characteristics

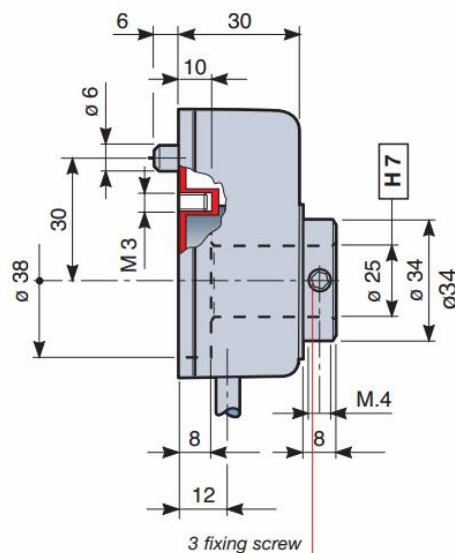
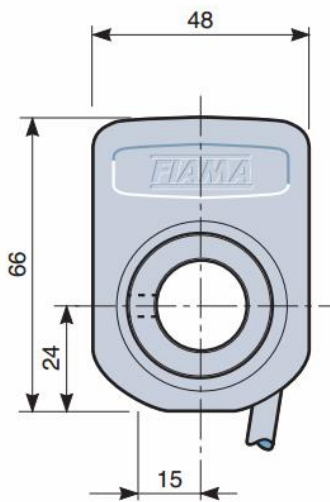
- Self-extinguishing, shock-proof case
- Solvents-, petrol-, greases-, oil- proof
- Easy assembling which is carried out by introducing the hollow shaft into the drive shaft and locking it with a threaded pin



EN14, EN20, EN25 are hollow shaft encoders that turn a rotating motion into codified digital pulses. The linking together to a display or an electronic positioner (for example F1X5, F2X, P1X) supplies an excellent system to measure the dimensions on machine tools, automatic-, wood- marble-, glass working machinery etc.

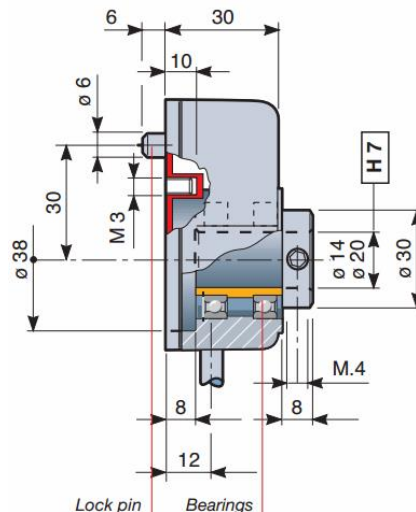
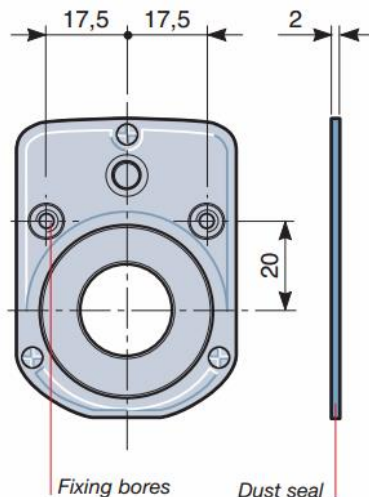
Dimensions

EN25



EN14

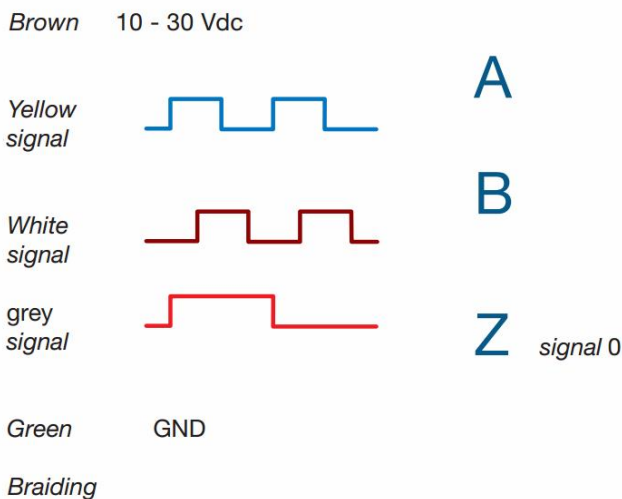
EN20



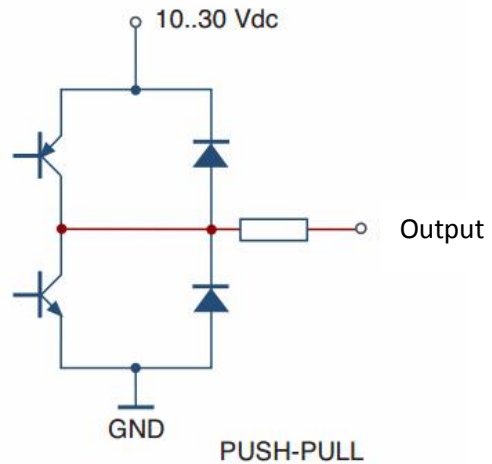
Technical data

Hollow shaft bore	EN14: 14H7 EN20: 20H7 EN25: 25 H7 Other bores with reducing bushes
Resolution	10-50-60-90-100-200-250-500 p/r
Power Output signal	10 ... 25 VDC, max. 60mA A and B channels with PUSH-PULL Output TTL line driver 5VDC
Power Output signal	5 VDC, max. 60mA Output TTL line driver 5VDC
Z Output signal	0 output signal (on request)
Max. Output current	20 mA
Max. Rotation speed	EN14, EN20: 2000 RPM EN25: 400 RPM, 1000 RPM for short periods
Protection class	IP54
Colour	Black
Working temperature	-10 ... 70°C
Relative humidity	10 ... 90%
Weight	200 gr.
Electric connection	Cable length 2,5,10 meters
Electromagnetic compatibility	2004/108/CE

Connection



Output circuit



EN14 - Application with measuring wheel

