

Datasheet

- Bellows Coupling - stainless steel bellows
- With clamping hubs
- Backlash-free and angularly aligned transmission of rotary motions
- Optimum compensation of misalignments
- High torsional stiffness
- Low restoring forces
- Vibration-damping effect

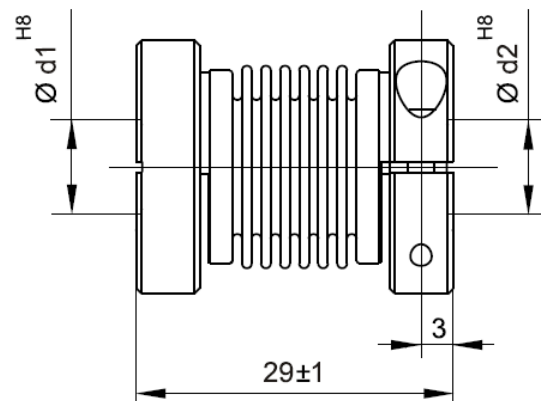
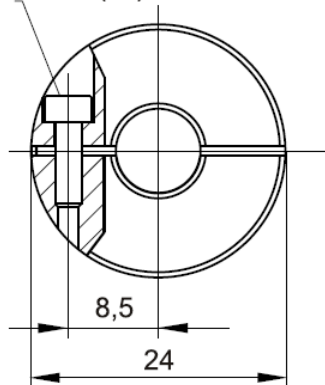


Mechanical Data

Material	Flange Bellows	aluminium anodised stainless steel
Weight		~ 17 g
Speed		< 10.000 min ⁻¹
Torque		< 120 Ncm
Offset of Shafts		radial ±0,25 mm axial ±0,4 mm angular ±4 °
Torsion Spring Stiffness		150 Nm/rad
Radial Spring Stiffness		25 N/mm
Moment of Inertia		15 gcm ²
Tightening Torque of Screw		< 100 Ncm
Temperature Range		-30 °C ... +120 °C

Dimensions

M2,5x8 ISO 4762 (2x)



Ø d1	Ø d2				Ordering Example
	6	8	10	12	
6	X	X	X	X	
8		X	X	X	BKXK-2429-08-10
10			X	X	
12				X	