

Datasheet



Electronic display with preselection function, programmable

Features at a glance

- Display with 6-digits process value (PV) and 6-digits set value (SV)
- Operation with 1 set value from -9999 to +999999
- Reset-, Pause-, Ch-A- and Ch-B- counting inputs
- Relay output or transistor output (optional)
- NPN/PNP type operation
- Reset automatically when preset is reached or manually by key
- INC, DEC, INC/INC, INC/DEC, UP/DOWN x1 / x2 / x4 counting with phase shifting property
- Multiplication coefficient and decimal point position



Mechanical characteristics

Dimensions	48 x 48 mm (W x H); Depth: 95 mm
Weight	210 g
Process value display	8 mm, red, 6-digits; LED display
Set value display	8 mm, green, 6-digits; LED display
Storage temperature	-40 °C to +85 °C
Operating temperature	0 to 50 °C
Humidity	0 to 90% (no condensing)
IP-rating	IP65 (front side) IP20 (rear side)

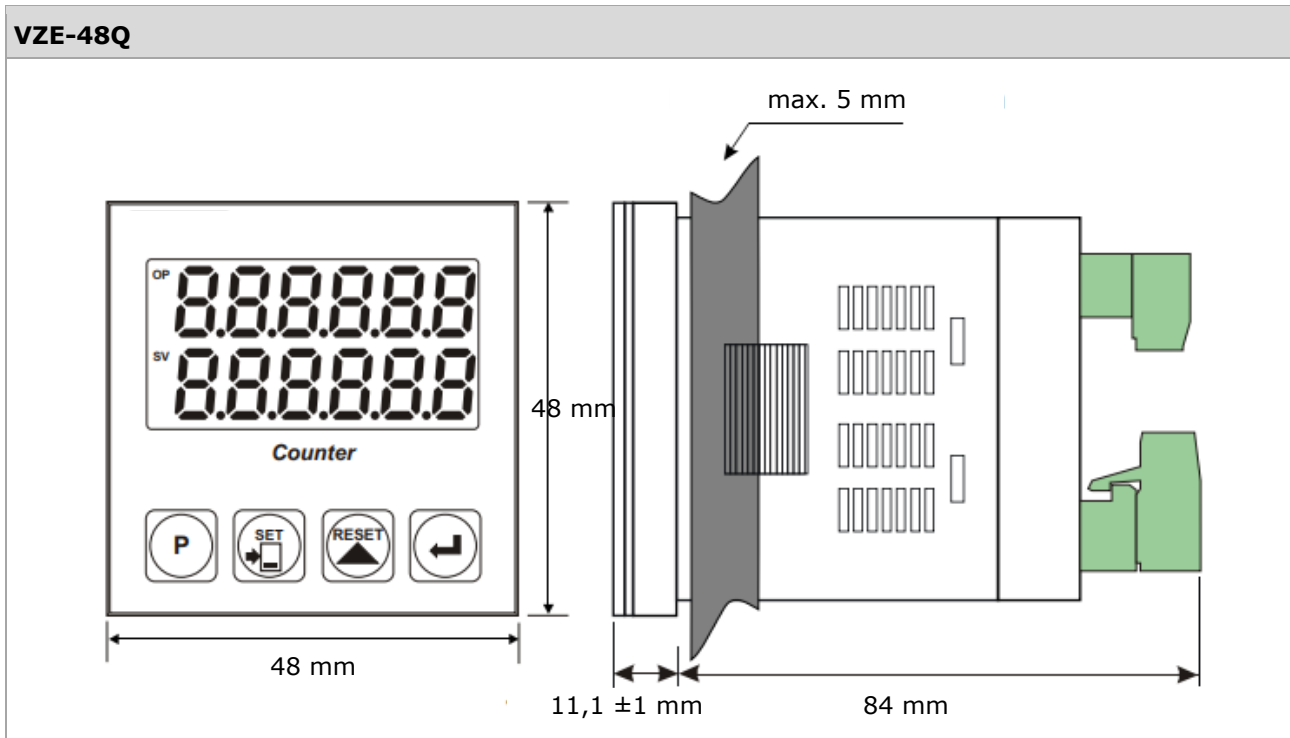
Electrical characteristics

Counting inputs (Ch-A; Ch-B)	switch, proximity
Capacitive sensor or encoder	
Reset input	switch, proximity / automatic or manual
Pause input	switch, proximity
Sensor type	NPN or PNP
Frequency	max. INC,DEC,INC/INC,INC/DEC,UP/DOWN max. 20 kHz.x1 / x2 / x4
Phase shifting	max.10 kHz
Reset pause	2 to 50 ms
Sensor input	12 VDC (±40%) max. 50 mA
Relay output Transistor output (optional)	5 A at 250 VAC (resistive load)
Power supply	230 VAC (±15%) 50/60 Hz - 2,3 VA 115 VAC (±15%) 50/60 Hz - 2,3 VA 24 VAC (±15%) 50/60 Hz - 2,3 VA 24 VDC (±15%, +10%) - 4 W

VZE-48Q_DB_2022-06-01_EN

Datasheet

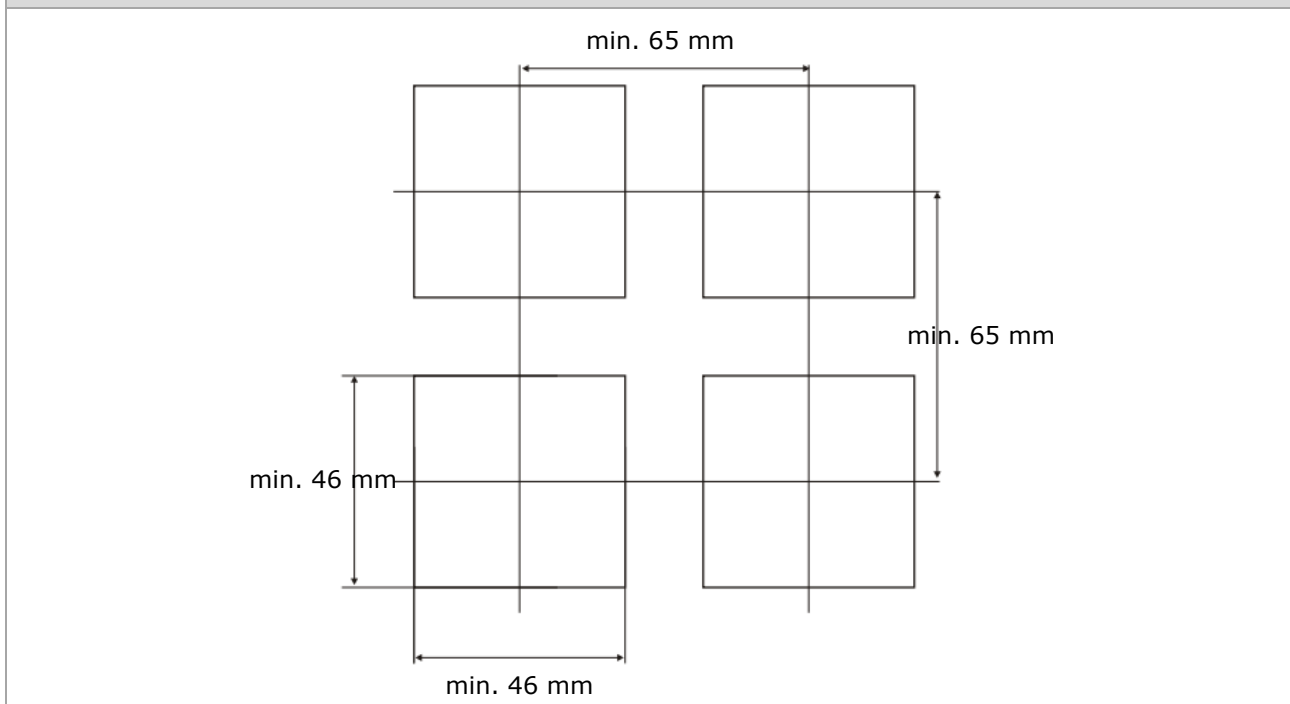
Dimensions



Front side

Side

Panel cut-out



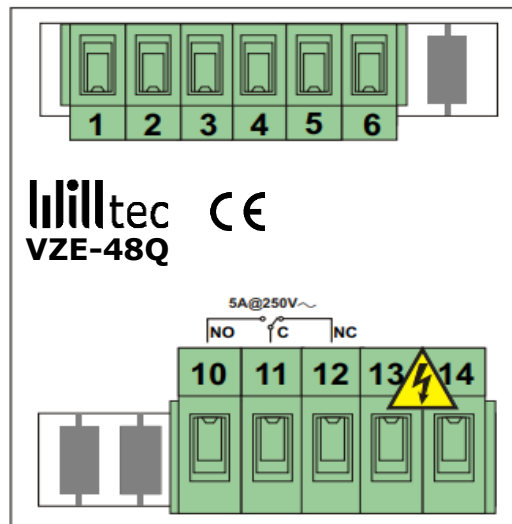
Datasheet

Electrical connection Terminal strip



The electrical wiring of the device must conform to the following electrical connection diagram to avoid damage to the process being controlled and injury to persons.

VZE-48Q



Rear side

PIN	Signal/Function		
1	Power supply Sensor		12 VDC ($\pm 40\%$) max. 50 mA
2			0 VDC
3	Counting inputs		Ch-A
4			Ch-B
5			Pause
6			Reset
10	Relay output Transistor output (optional)	NO	5 A at 250 VAC
11		C	
12		NC	
13	Power supply input	N	115 VAC ($\pm 15\%$, +10%) 50/60 Hz 230 VAC ($\pm 15\%$, +10%) 50/60 Hz
14		L	24 VDC ($\pm 15\%$, +10%) 50/60 Hz 24 VDC ($\pm 15\%$, +10%) - 4 W



Power supply

The power supply of the preset counter must be specified via the ordering code.

Datasheet

Ordering example

Type	VZE	-	48Q	-	24	-	TA
Dimensions							
48Q	= 48 x 48 mm						
Power Supply							
24	= 24 VAC/VDC (-15%, +10%) 50/60 Hz						
115	= 115 VAC (-15%, +10%) 50/60 Hz						
230	= 230 VAC (-15%, +10%) 50/60 Hz						
Signal/Function							
TA	= Transistor output (optional)						



Variants that cannot be configured from the ordering example are available on request as a special version.



Depending on the application, we offer you the electronic preset counter in a wide variety of designs with customer-specific options. Information on the individual preset counters can be found on the corresponding data sheet.

Type	VZE-48Q	VZE-72Q	VZE-96Q	VZE-96x48
				
Dimensions (W x H x D) mm	48 x 48 x 95	72 x 72 x 95,5	96 x 96 x 96	96 x 48 x 96
LED display Process value (PV)	8 mm, red, 6-digits	10,8 mm, red, 6-digits	13,2 mm, red, 6-digits	13,2 mm, red, 6-digits
LED display Set value (SV)	8 mm, green, 6-digits	8 mm, green, 6-digits	8 mm, green, 6-digits	8 mm, green, 6-digits

The manufacturer reserves the right to make changes to the products that it deems necessary for their improvement without prior notice.