

Datasheet

- Reliable measurements on dark surfaces – even under solar radiation during outdoor operations
- Serial interfaces (RS-232,-422,-385,SSI)
- Analog output 0/4 ... 20 mA
- Digital inputs and outputs (standard)
- Further functions can be configured by the customers
- Optional interfaces on request:
 PROFIBUS (external),
 PROFINET, EtherNet/IP, EtherCAT



Mechanical Data

Type	DPE-30-500	
Dimensions (L x W x H)	140 x 78 x 48 mm	
Laser	visible, red (Laser Class 2, <1mW)	
Laser dot		
at 10 m	7 x 3 mm	
at 50 m	28 x 13 mm	
at 100 m	55 x 30 mm	
Material		
Housing	aluminium	
Weight	350 g	
Measuring range		
on reflecting foil	~0,5 ... 500 m	
on Natural surfaces	0,05 ...~100 mm	
Accuracy	±3 mm [at ±2 σ]	±1.5 mm [at ±1 σ]
Repeatability	±0,7 mm [at ±2 σ]	±0,35 mm [at ±1 σ]
Operating temperature	-40°C ... +60°C	
IP rating	IP65	

Electrical Data

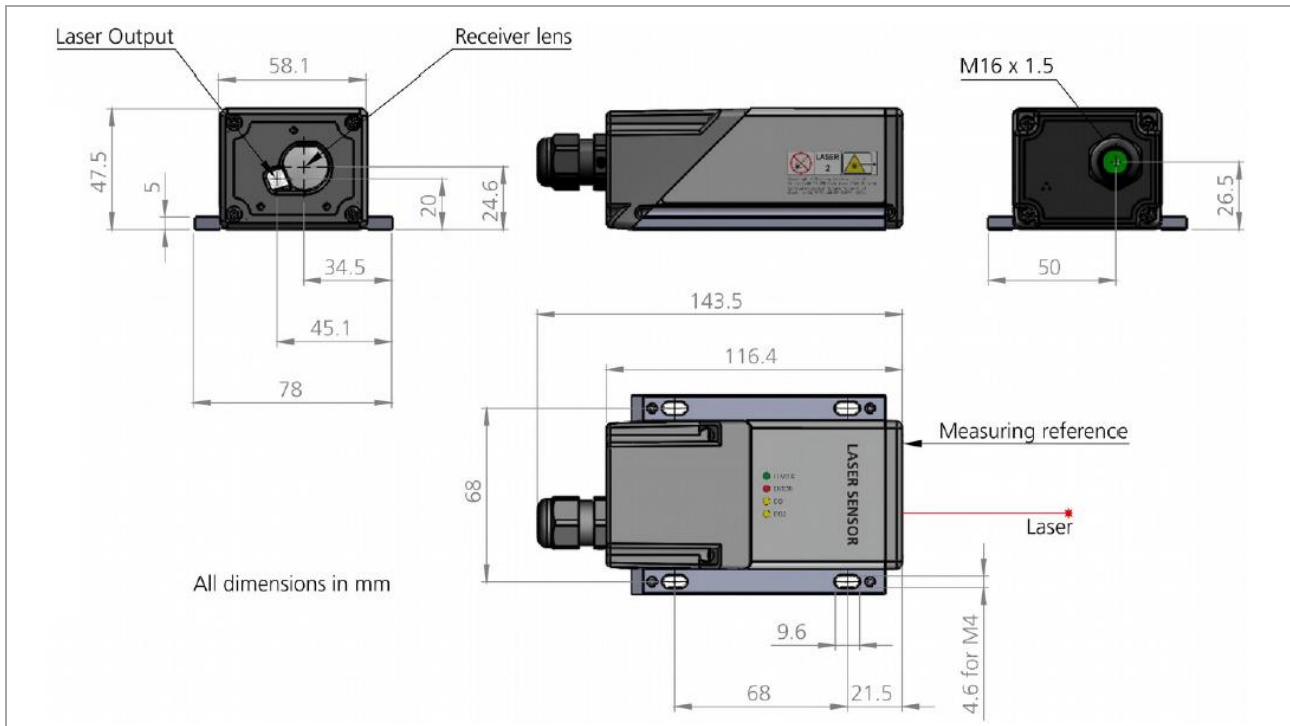
Type	DPE-30-500	
Power supply	12 ... 30 VDC	
Power consumption	0,5 A [at 24 VDC]	
Max- measuring rate	250 Hz	
Max. output rate	1 kHz	
Analog output, programmable	0/4 ... 20 mA	
Analog output error	±0,1 %	
Connection	internal screws terminal	
Interfaces		
Standard	Analog output, programmable, 0/4...20 mA, 1 digital input, programmable 2 digital output, programmable 1 digital error display (NPN, PNP, Push-Pull) Serial interfaces: RS-232, RS-422 / RS-485, SSI 1 USB, only for configuration	
Optional	PROFIBUS (external), PROFINET, EtherNet/IP, EtherCAT	

Datasheet

Functions

- Automatic mode for stand-alone operation
- Direct connection to an external display
- User distance offset / gain, programmable
- Filter functions, programmable
- Adjustable measuring behaviour
- Programmable device ID
- Trigger functionality

Dimensions



Ordering example

Type DPE - 30 - 500 - PROFINET

Accuracy

30 = ±3 mm [at ±2 σ]; ±1,5 mm [at ±1 σ]

Measuring range

500 = ~0,5 ... 500 m on reflecting foil;
 0,05 ... ~100 m on natural surfaces

Interface (optional)

PROFIBUS (external)

PROFINET

EtherNet/IP

EtherCAT

Manufacturer: **DIMETIX**
 LASER DISTANCE SENSORS

Without prior notice, the products may be subject to modifications that the Manufacturer reserves to introduce as deemed necessary for their improvement.