

Datasheet

General features

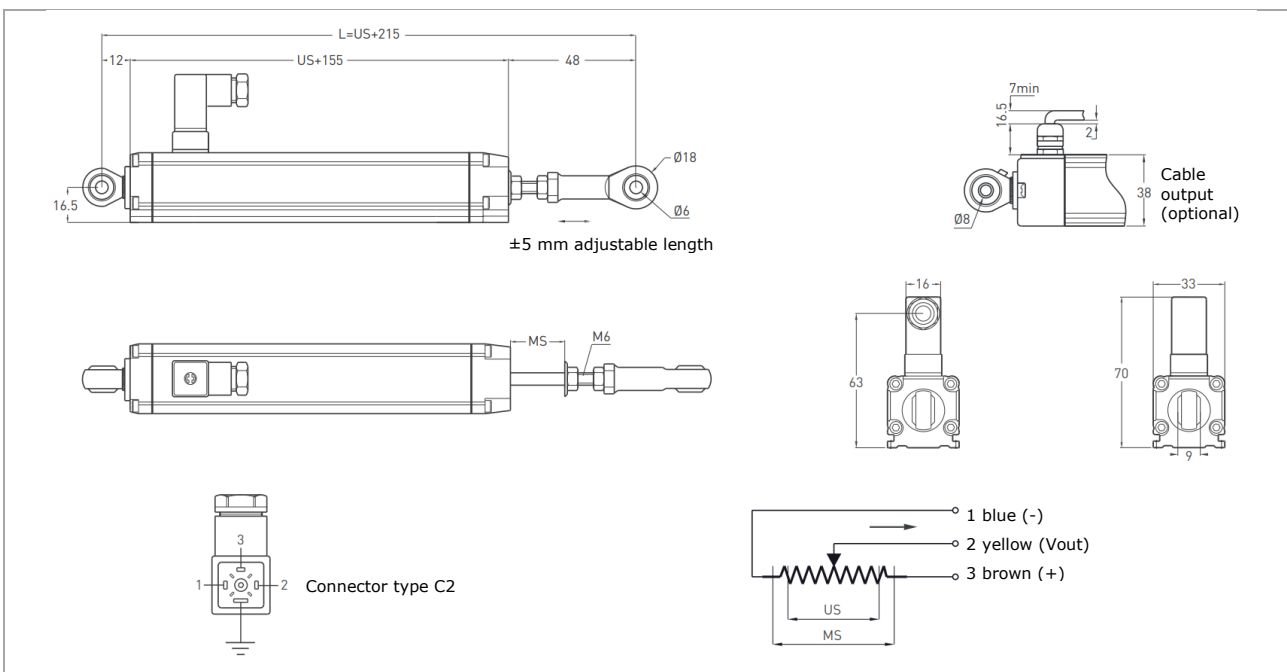
- Internal voltage / current conditioner circuit
- Measuring range 50 to 600 mm
- Long mechanical life: 100 million movements
- Excellent repeatability: <math><0.01\text{ mm}</math>
- Infinitely variable resolution
- Output: 4-20 mA, 0-20 mA, 0-10 V, 20-4 mA, 20-0 mA, 10-0 V
- Best solution for automation systems



Technical specifications

| | |
|-----------------------------|---|
| Measurement stroke | 50 to 600 mm |
| Linearity | $\pm 0.05\%$ (>200 mm), $\pm 0.1\%$ (130 - 200 mm), $\pm 0.2\%$ (75 - 129 mm), $\pm 0.5\%$ (<75 mm) |
| Repeatability | <math><0.01\text{ mm}</math> |
| Resolution | Infinitely variable |
| Output | 4-20 mA, 0-20 mA, 0-10 V, 20-4 mA, 20-0 mA, 10-0 V |
| Permissible applied voltage | 28 VDC max. |
| Electrical connections | 4 pin connector |
| Displacement speed | <math><5\text{ m/s}</math> |
| Mechanical life | 100 million movement |
| Case dimensions | 33 mm x 33 mm |
| Case material | Anodized aluminium |
| Rod diameter | $\varnothing 6\text{ mm}$ |
| Rod material | Stainless steel |
| Mechanical fixing | Ball joints at both ends |
| IP rating | IP65 |
| Operating temperature | -20°C ... +80°C |
| Storage temperature | -30°C ... +90°C |

Dimensions



WLP-M-EQS2_DB_2023-03-27_EN

Datasheet

Measuring range

| | | | | | | | | | | |
|-------------------------------|-----|-----|-----|-----|-----|-----|-----|-----|-----|-----|
| WLP-M-EQS2 (mm) | 50 | 75 | 100 | 125 | 130 | 150 | 175 | 200 | 225 | 250 |
| US (Useful Stroke) | 50 | 75 | 100 | 125 | 130 | 150 | 175 | 200 | 225 | 250 |
| MS (Mechanical Stroke) | 53 | 73 | 103 | 128 | 133 | 153 | 178 | 203 | 228 | 253 |
| L (Total Length) | 265 | 290 | 315 | 340 | 345 | 365 | 390 | 415 | 440 | 465 |

| | | | | | | | | | | |
|---------------------------|-----|-----|-----|-----|-----|-----|-----|-----|-----|-----|
| WLP-M-EQS2 (mm) | 275 | 300 | 325 | 350 | 375 | 400 | 450 | 500 | 550 | 600 |
| US (Useful Stroke) | 275 | 300 | 325 | 350 | 375 | 400 | 450 | 500 | 550 | 600 |
| MS (Mech Stroke) | 278 | 303 | 328 | 353 | 378 | 403 | 453 | 503 | 553 | 603 |
| L (Total Length) | 490 | 515 | 540 | 565 | 590 | 615 | 665 | 715 | 765 | 818 |

Ordering example

| | | | | | | | | | | | |
|--|---------------------------------|---|-------------|---|------------|---|----------|---|------------|---|-----------|
| Type | WLP-M | - | EQS2 | - | 500 | - | D | - | V10 | - | C2 |
| Category | | | | | | | | | | | |
| E | = electrical; (voltage/current) | | | | | | | | | | |
| Type of construction | | | | | | | | | | | |
| Q | = quadratic | | | | | | | | | | |
| Location of electrical connection | | | | | | | | | | | |
| S | = lateral | | | | | | | | | | |
| Connection type | | | | | | | | | | | |
| 2 | = connector | | | | | | | | | | |
| Measurement stroke (mm) | | | | | | | | | | | |
| | 50 ... 600 mm (see table) | | | | | | | | | | |
| Linearity (%) | | | | | | | | | | | |
| A | = ±%0.5 (<75 mm) | | | | | | | | | | |
| B | = ±%0.2 (75 - 129 mm) | | | | | | | | | | |
| C | = ±%0.1 (130 - 200 mm) | | | | | | | | | | |
| D | = ±%0.05 (>200 mm) | | | | | | | | | | |
| Output (mA or V) | | | | | | | | | | | |
| I40 | = 4-20 mA | | | | | | | | | | |
| I04 | = 20-4 mA | | | | | | | | | | |
| I20 | = 0-20 mA | | | | | | | | | | |
| I02 | = 20-0 mA | | | | | | | | | | |
| V10 | = 0-10 V | | | | | | | | | | |
| V01 | = 10-0 V | | | | | | | | | | |
| Electrical connection | | | | | | | | | | | |
| C2 | = 4 pin connector | | | | | | | | | | |

Without prior notice, the products may be subject to modifications that the Manufacturer reserves to introduce as deemed necessary for their improvement.