

Datasheet

General features

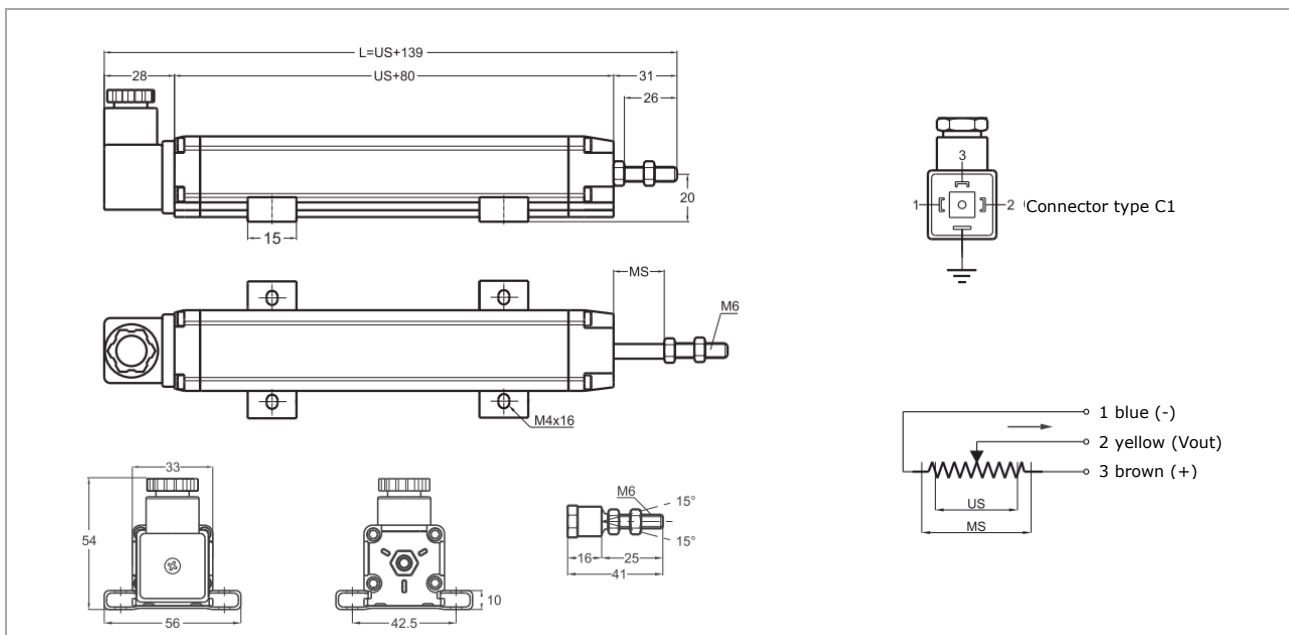
- Measuring range 30 to 1000 mm
- Long mechanical life: 100 million movements
- Excellent repeatability: <math><0.01\text{ mm}</math>
- Infinitely variable resolution
- Resistance:
5 kOhm: 30 ... 600 mm, 10 kOhm: 650 ... 1000 mm



Technical specifications

Measurement stroke	30 to 1000 mm
Linearity	$\pm 0.05\%$ (>200 mm), $\pm 0.1\%$ (130 - 200 mm), $\pm 0.2\%$ (75 - 129 mm), $\pm 0.5\%$ (<75 mm)
Repeatability	<math><0.01\text{ mm}</math>
Resolution	Infinitely variable
Resistance	5 kOhm: 30 ... 600 mm, 10 kOhm: 650 ... 1000 mm
Resistance tolerance	$\pm 20\%$
Load resistance	100 kOhm min.
Recommended consumption current	<math><1\ \mu\text{A}</math>
Permissible applied voltage	28 VDC max.
Electrical connections	4 pin connector
Displacement speed	<math><5\text{ m/s}</math>
Mechanical life	100 million movement
Case dimensions	33 mm x 33 mm
Case material	Anodized aluminium
Rod diameter	$\varnothing 6\text{ mm}$
Rod material	Stainless steel
Mechanical fixing	Variable brackets
IP rating	IP65
Operating temperature	-20°C ... +80°C
Storage temperature	-30°C ... +90°C

Dimensions



WLP-L-MQF2_DB_2023-03-27_EN

Datasheet

Measuring range

WLP-L-MQF2 (mm)	30	50	75	100	125	130	150	175	200	225
US (Useful Stroke)	30	50	75	100	125	130	150	175	200	225
MS (Mechanical Stroke)	33	53	73	103	128	133	153	178	203	228
L (Total Length)	169	189	214	239	264	269	289	314	339	364

WLP-L-MQF2 (mm)	250	275	300	325	350	375	400	450	500	550
US (Useful Stroke)	250	275	300	325	350	375	400	450	500	550
MS (Mechanical Stroke)	253	278	303	328	353	378	403	453	503	553
L (Total Length)	389	414	439	464	489	514	539	589	639	689

WLP-L-MQF2 (mm)	600	650	700	750	800	850	900	1000
US (Useful Stroke)	600	650	700	750	800	850	900	1000
MS (Mechanical Stroke)	603	653	703	753	803	853	9003	1003
L (Total Length)	739	789	839	889	939	989	1039	1139

Ordering example

Type	WLP-L	-	MQF2	-	500	-	D	-	5K	-	C1
Category											
M	= medium; Ohm (resistance)										
Type of construction											
Q	= quadratic										
Location of electrical connection											
F	= frontal										
Connection type											
2	= connector										
Measurement stroke (mm)	30 ... 1000 mm (see table)										
Linearity (%)											
A	= ±%0.5 (<75 mm)										
B	= ±%0.2 (75 - 129 mm)										
C	= ±%0.1 (130 - 200 mm)										
D	= ±%0.05 (>200 mm)										
Resistance (kOhm)											
5K	= 5 kOhm										
10k	= 10 kOhm										
Electrical connection											
C1	= 4 pin connector (standard)										

Without prior notice, the products may be subject to modifications that the Manufacturer reserves to introduce as deemed necessary for their improvement.