

# Datasheet

- They are transducers employed for the survey of angle, with reference to earth's axis
- High shock-resistant and vibration protection, because of employ without parts in motion
- Compact design
- Easy mounting
- Applications: the measure of inclination angle of cutting-blade, crane, level control of platform



## Mechanical Data

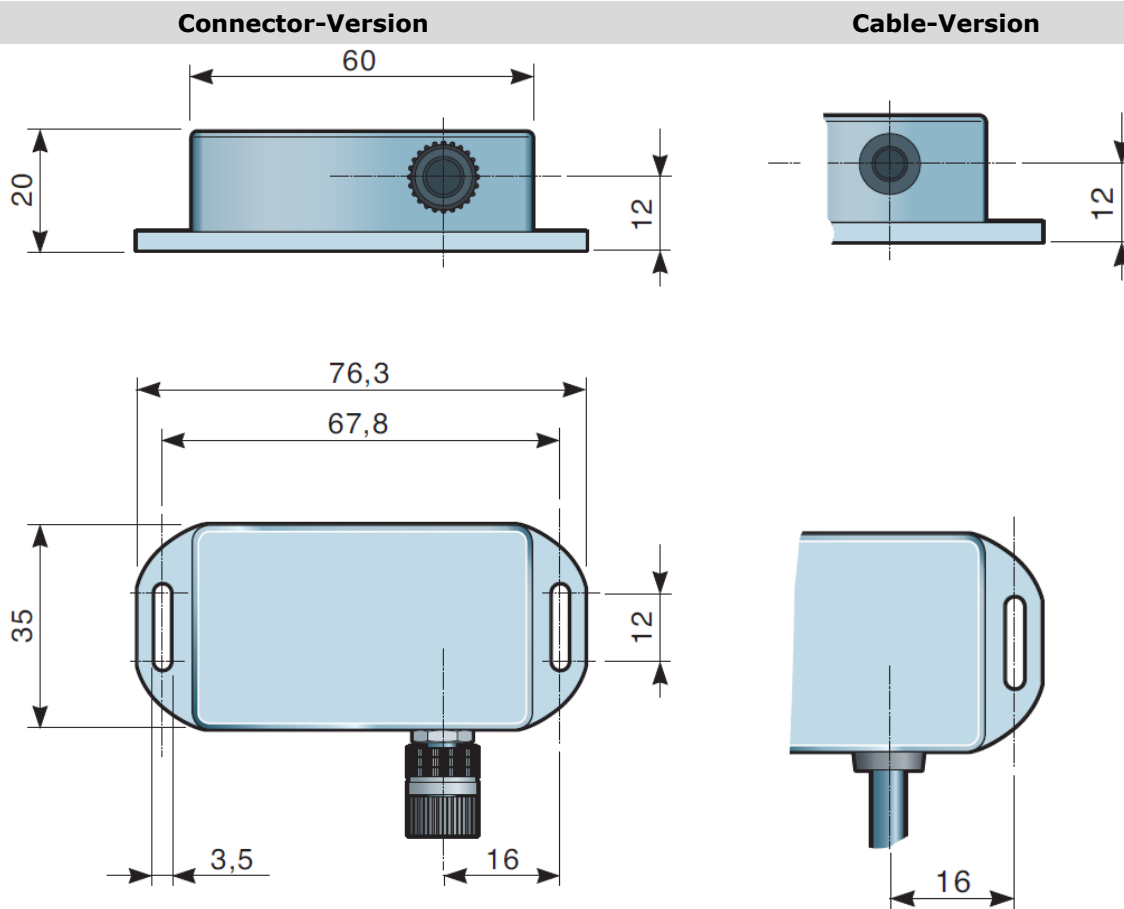
Type	IM60	IM360	IM60-2
Material	ABS plastic		
Housing	ABS plastic		
Metering shafts	1	1	2
Measure angle	±60 °	0-360°	±60°
Linearity	±0,5° -45° to +45° ±1° -60° to +60°	±0,6°	±0,6°
Repeatability	± 0,05°		
Relative humidity	10 % - 90 %		
Operating Temperature	-10 °C - +70 °C		
IP-Rating	IP66		
Connection			
Cable	2m; 5m; 10m		
Connector	female straight or 90°		

## Electrical Data

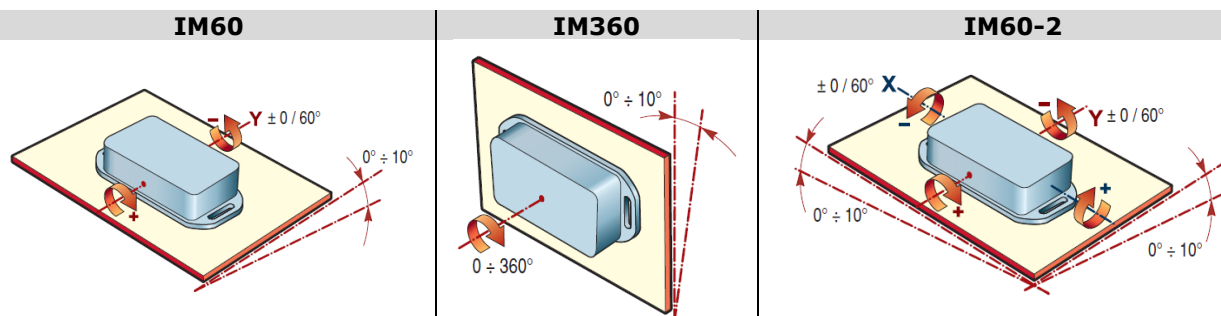
Supply Voltage	24 VDC ±20%	<150 mA
Output Signal	Analogue	
	I	4-20 mA
	V	0-10 VDC
Certification	EMC: 2014/30/UE	

# Datasheet

## Dimensions



## Mounting



To have 0° measure have to be mounted the inclinometer with 0° axis on the axis of reference and <10° of centre on the secondary axis, if need use in case a level.

Both axes of reference have to be mounted with 0° with a tolerance 0° - 10°

# Datasheet

## Ordering Example

<b>Type</b>	<b>IM60</b>	-	<b>I</b>	-	<b>2m</b>
<b>IM60</b>	= Cable-Version				
<b>IM360</b>	= Cable-Version				
<b>IM60-2</b>	= Cable-Version, with 2 Metering shafts				
<b>IM60C</b>	= Connector-Version				
<b>IM360C</b>	= Connector-Version				
<b>IM60-2C</b>	= Connector-Version, with 2 Metering shafts				

### Output Signal

<b>I</b>	= 4-20mA
<b>I2</b>	= 4-20mA, with 2 Outputs
<b>V</b>	= 0-10 VDC
<b>V2</b>	= 0-10 VDC, with 2 Outputs

### Connection

#### Cable-Version

**2m** – 5m – 10m

#### Connector-Version

<b>C1</b>	= Connector straight, female
<b>C2</b>	= Connector 90°, female