

Datasheet

General features

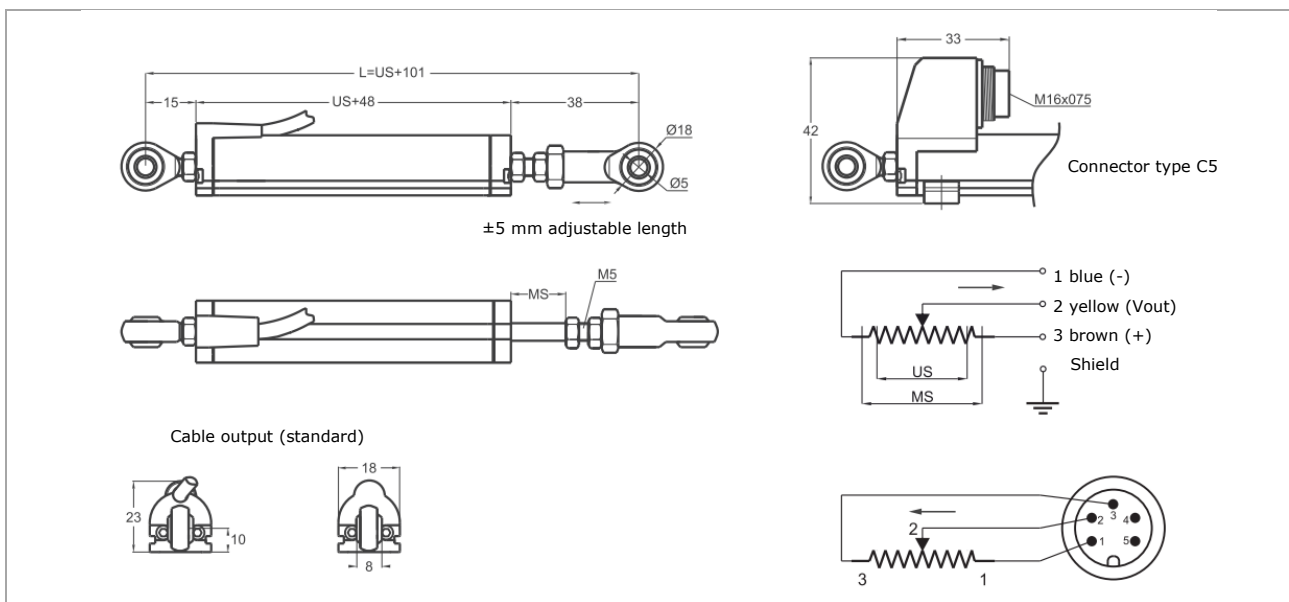
- Measuring range 10 to 400 mm
- Long mechanical life: 100 million movements
- Excellent repeatability: <math><0.01\text{ mm}</math>
- Infinitely variable resolution
- Resistance:
 - 2 kOhm: 10 ... 50 mm,
 - 5 kOhm: 75 ... 400 mm



Technical specifications

Measurement stroke	10 to 400 mm
Linearity	$\pm 0.05\%$ (>200 mm), $\pm 0.1\%$ (130 - 200 mm), $\pm 0.2\%$ (75 - 129 mm), $\pm 0.5\%$ (<75 mm)
Repeatability	<math><0.01\text{ mm}</math>
Resolution	Infinitely variable
Resistance	2 kOhm: 10 ... 50 mm, 5 kOhm: 75 ... 400 mm
Resistance tolerance	$\pm 20\%$
Load resistance	100 kOhm min.
Recommended consumption current	<math><1\ \mu\text{A}</math>
Permissible applied voltage	28 VDC max.
Electrical connections	5 pin connector or 1m cable output (other lengths available)
Displacement speed	<math><5\text{ m/s}</math>
Mechanical life	100 million movement
Case dimensions	$\varnothing 18\text{ mm}$
Case material	Anodized aluminium
Rod diameter	$\varnothing 5\text{ mm}$
Rod material	Stainless steel
Mechanical fixing	Variable brackets
IP rating	IP65
Operating temperature	-20°C ... +80°C
Storage temperature	-30°C ... +90°C

Dimensions



WLP-C-SRS1-S2_DB_2023-03-27_EN

