

Datasheet



Mechanical meter counter for the confectioning of flexible round materials (cables, ropes, cords)

Features at a glance

- Measuring system for rotatory distance measurement (length measurement) with mechanical counter.
- Measuring wheel with 200 mm circumference, smooth polyurethane tread (PUR).
- 5-digit display, digit height 4.5 mm (0 to 999.99).
- Counting direction left increasing, counter-clockwise: value increases.
- Gradient 0.20 m per revolution, with a resolution of 000.20 m.
- Zero setting manually via reset lever.
- Mechanical counter is protected by a robust, glass-fibre reinforced plastic housing.



Depending on the application, we offer you the electronic meter counter in a wide variety of designs with customer-specific options.

Standard variant Example

MZ/M KonFix

Mechanical meter counter for the confectioning of flexible round materials (cables, ropes, cords).

MZ/M-KF-M45-0.20-L-200/G-G



- Mechanical counter M45
Gradient 0.20 m per revolution,
resolution of 000.20 m
- Square tube with guiding sleeves
- Measuring wheel with 200 mm, smooth running surface of polyurethane (PUR), corpus aluminium
- Cylinder handle (optional)

Art. No.: **34421**

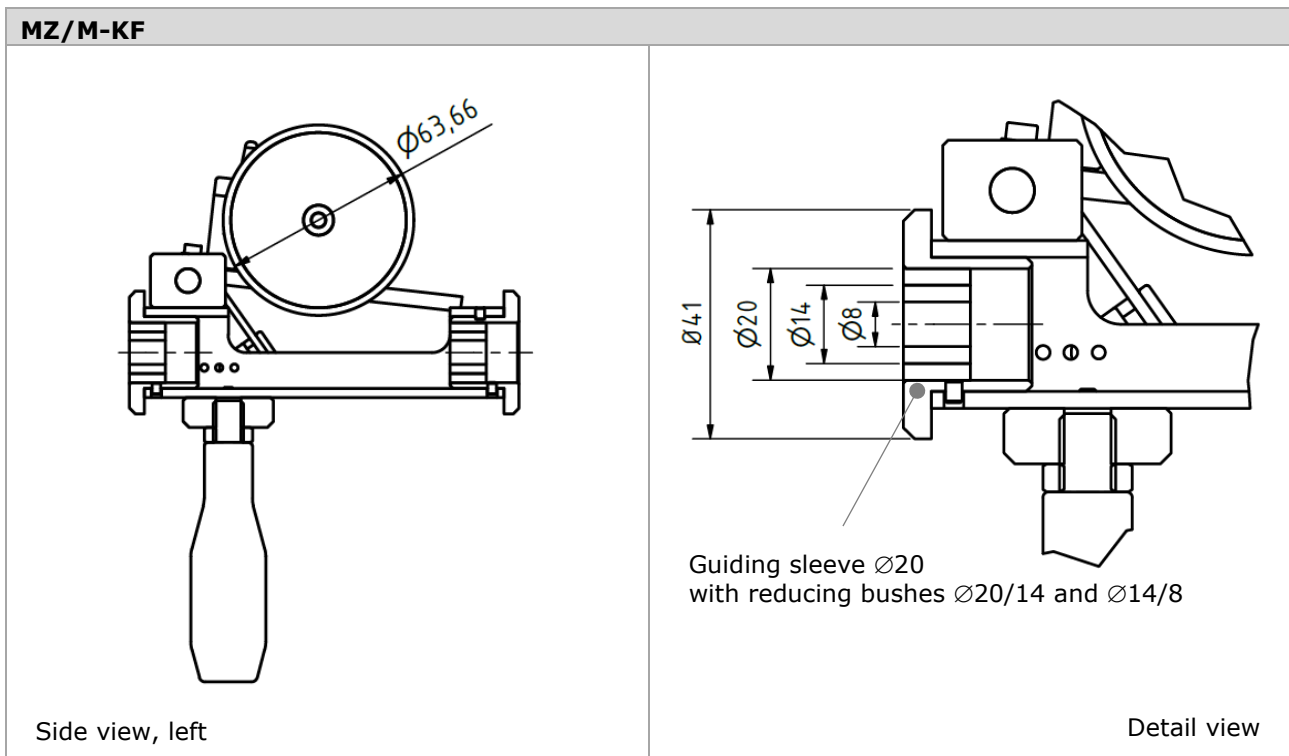
Datasheet

Technical characteristics

Meter counter	
Weight	approx. 0.5 – 1,0 kg depending on version
Mechanical counter display	Type M45; 5-digit
Digit height	4.5 mm
Display range	0 ... 999.99
Housing	Plastic; grey
Counting direction	left increasing
Counting mode	1 revolution = 20 digits
Resolution	Gradient 0.20 m per revolution, with a resolution of 000.20 m
Counting speed	max. 500 digits/min
Torque	approx. 100 Ncm
Zero setting	Reset lever
Operating temperature	0 °C ... +60 °C

Measuring wheel	
Circumference	200 mm (standard)
Through bore	Ø = 5 mm (with reducing bush Ø7/5 mm)
Material	Corpus Tread
	Aluminium Polyurethane (PUR), smooth

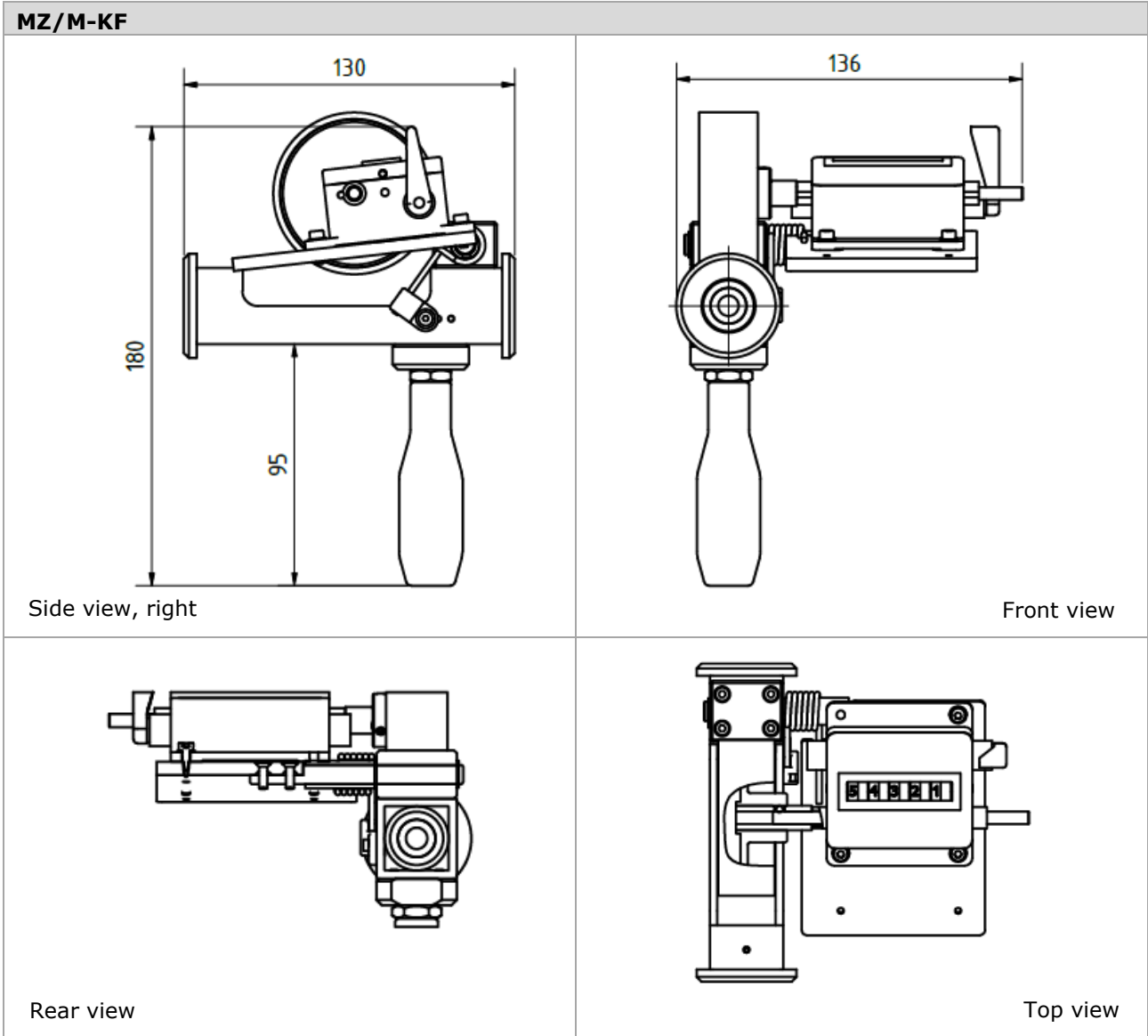
Dimensions



All dimensions in mm

Datasheet

Dimensions



All dimensions in mm

Datasheet

Ordering example

Mechanical meter counter for the confectioning of flexible round materials (cables, ropes, cords).

MZ/M - **KF** - **M45** - **0.20** - **L** - **200/G** - **G**

Meter counter/Mechanical

Type

KF = KonFix

Measuring display

M45 = mechanical counter M45

Display value/Revolution [m]

0.20 = 000.20 / 5-digits

Counting direction

L = left increasing

Measuring wheel circumference [mm] /Tread

200 (standard)

Measuring wheel circumference [mm] /Tread

/G = Polyurethane (PUR), smooth

Fastening

= none, no specifications

G = Cylinder handle (optional)



Variants that cannot be configured from the ordering example are available on request as a special version.

Reducing bush for guide sleeves available as accessory on request.

The manufacturer reserves the right to make changes to the products that it deems necessary for their improvement without prior notice.