

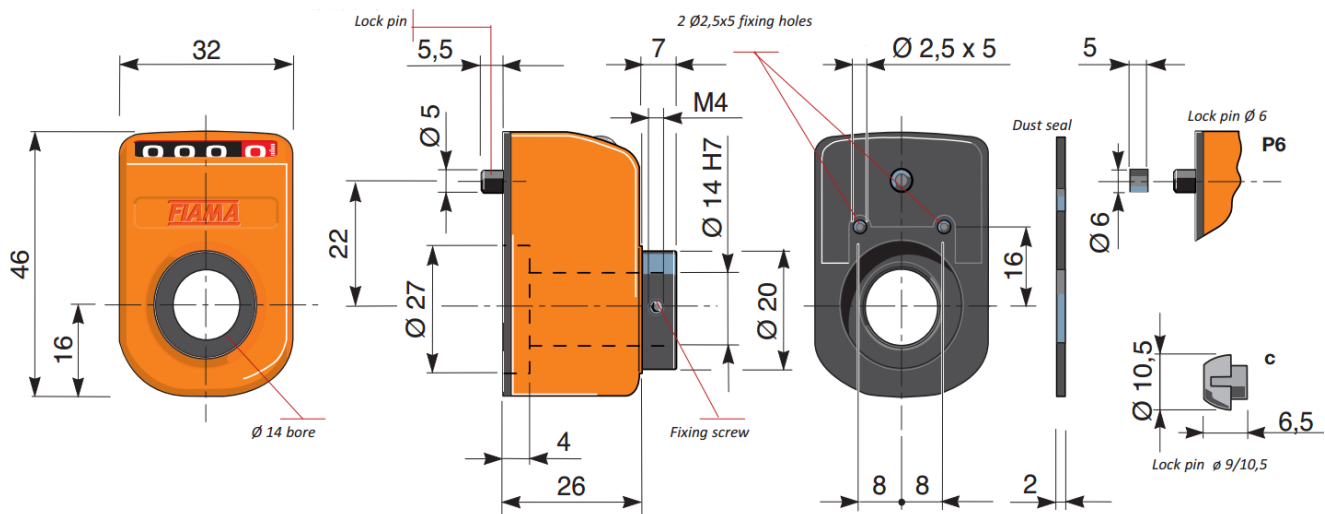
Datasheet

Characteristics

- 4 digit indicator to adjust and directly read a motion (or an angle)
- Various view options available
- Impact resistant and self-extinguishing Polymer housing
- Protection class IP64
- Hollow shaft optionally in stainless steel (VA)



Dimensions



Introduce the indicator through the hollow shaft and set the lock pin into the $\varnothing 6$ arranged hole. Set the instrument on the inner (zero) value and block the fixing screw.

Mechanical data

Material	housing hollow shaft	technopolymer, self extinguishing steel or stainless steel
Digits	1 red digits 2 red or 4 black digits	decimals (standard) hundredths (on request)
Digit height		5 mm
Reading		until 9999
Shaft		$\varnothing 14$ mm $\varnothing 12$ mm $\varnothing 10$ mm $\varnothing 08$ mm
Lock pin		$\varnothing 6$ mm $\varnothing 9-10,5$ mm
Colour		orange; RAL2004 black; RAL9005 grey; RAL7004
Operating temperature		max. 80°C
Options on request		measure in Inch, special ratios attachments anodized aluminium shaft block flange (FL-B) anodized aluminium movement knob (PM) polycarbonate spacer flange (FL)

Datasheet

Pitch

pitch mm	Measure after 1 revolution		Maximum rotation speed	
	mm	inch	rpm	inch
0,5	0005		600	
0,50	0050		200	
0,7/5	0007 5		600	
1,0	0010		100	
1,00	0100	0039(37)	600	200
1,2/5	0012 5		600	
1,5	0015		600	
1,7/5	0017 5		500	
2,0	0020	0078(74)	500	100
2,5	0025		300	
3,0	0030	0011(81)	300	600
4,0	0040	0015(74)	200	500
5,0	0050	0019(68)	200	500
6,0	0060		200	
7,5	0075	0029(53)	100	200
8,0	0080		100	
10,0	0100	0039(37)	100	200
12,0	0120		80	

Mounting position

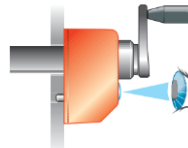
View A - horizontal



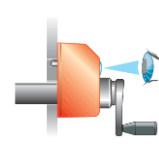
View B - vertical



View C - front bottom



View D - front top



Ordering example

Type **OP3** - **A** - **2,5** - **DX** - **14** - **R** - **P6**

View

A - B - C - D

Pitch

Measure after one revolution see table

Counting direction

DX - clockwise

SX - anti-clockwise

Shaft diameter [mm]

VA - stainless steel

Ø **14** - 12 - 10 - 8

smaller diameters with reducing bush

Box colour

R - orange

G - black

GR - grey

Lock pin

P6 - Ø6 mm

P9/10,5 - Ø9-10,5 mm

Datasheet

Attachments

Polycarbonate spacer flange (FL)



Anodized aluminium movement knob (PM)



Anodized aluminium shaft block flange (FL-B)

