

Datasheet

Electronic meter counter for the confectioning of flexible round materials (cables, ropes, cords)

Features at a glance

- Electronic measuring system for rotatory distance measurement (length measurement) with electronic measuring display, integrated magnetic sensor and magnetic ring.
- Measuring wheel with 200 mm circumference, smooth polyurethane tread (PUR).
- 5-digit display plus sign, digit height 7.5 mm (-99.999 to 99.999).
- Setting of counting direction and number of decimal points.
- Switching of measuring units (mm/Inch).
- Displayed value can be corrected with a multiplication factor.
- Absolute or relative mode, preset value (offset) can be recalled.
- Sensor and electronics are protected by a robust, shockproof, and self-extinguishing plastic housing.
- Measuring system powered by a ½AA 3.6V battery (Lithium thionyl chloride), battery life approx. 4 years.



Depending on the application, we offer you the electronic meter counter in a wide variety of designs with customer-specific options.

Standard variant Example

MZ/E KonFix

Electronic meter counter with programmable measuring display for the confectioning of flexible round materials (cables, ropes, cords).

MZ/E-KF-F7-200/GV-G



Art. No.: **35469**

- Measuring display F7 with integrated magnetic sensor (battery-powered)
- Resolution programmable
- Magnetic ring
- Square tube with guiding sleeves
- Measuring wheel with 200 mm circumference, smooth running surface of polyurethane (PUR), corpus aluminium
- Cylinder handle (optional)

Datasheet

Technical characteristics

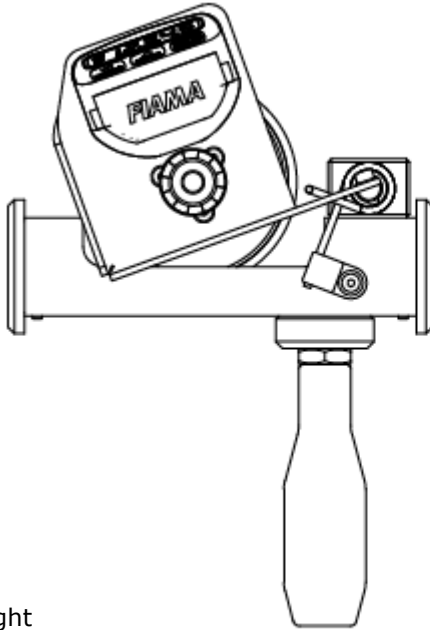
Meter counter	
Weight	approx. 0,7 – 1.2 kg depending on version
Measuring display	Type F7/ LCD; 5-digit
Digit high	7.5 mm
Display range	-99.999; 99.999
Housing	Plastic; black
Sensor	Magnetic sensor Type MT
Resolution	1; 0.1 (Standard); 0.01; 0.001 freely programmable
Repeatability	± 0.1 mm
Speed	max. 2.5 m/s
Adjustable/ activatable functions	Setting of counting direction; measuring units (mm/Inch); decimal point and multiplication factor; offset value; absolute/relative mode; reset/preset
Keyboard	3 programming and function keys
Measuring scale	Magnetic ring Type MRI
Distance: sensor/ magnetic tape or magnetic ring	max. 1 mm
Operating temperature	0 ... +50 °C
Relative humidity	35 - 85%
Electromagnetic compatibility	2004/108/EC
IP-rating	Display IP54, Sensor IP67
Power supply	½ AA 3,6 V battery (Lithium thionyl chloride)
Battery life	4 years

Measuring wheel	
Circumference	200 mm (standard)
Through bore	Ø = 7 mm
Material	Corpus Tread
	Aluminium Polyurethane (PUR), smooth

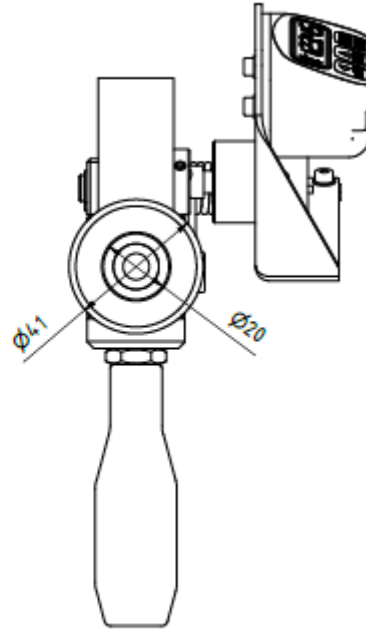
Datasheet

Dimensions

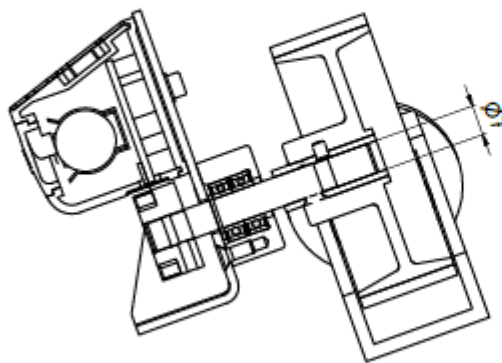
MZ/E-KF



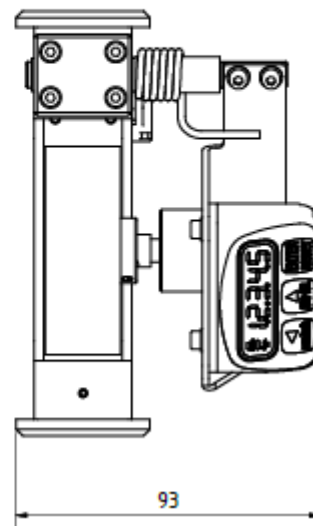
Side view, right



Front view



Longitudinal section



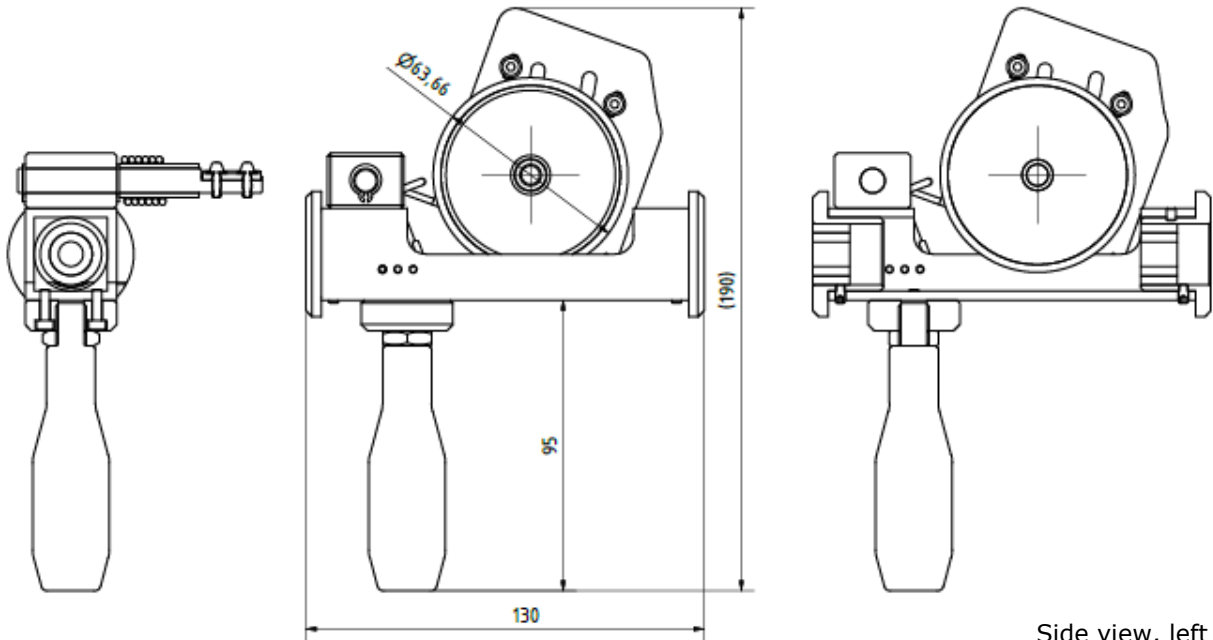
Top view

All dimensions in mm

Datasheet

Dimensions

MZ/E-KF



Side view, left

Guiding sleeve $\varnothing 20$
with reducing bushes $\varnothing 20/14$ and $\varnothing 14/8$

All dimensions in mm

Datasheet

Ordering example

Electronic meter counter with programmable measuring display for the confectioning of flexible round materials (cables, ropes, cords).

MZ/E - **KF** - **F7** - **200/GV** - **G**
Meter counter/Electronic

Type
KF = KonFix

Measuring display
F7 = F7 programmable (battery-powered)

Measuring wheel circumference /Tread
200 mm (standard)

Measuring wheel circumference /Tread
/GV = Polyurethane (PUR), smooth

Fastening
= none, no specifications
G = Cylinder handle (optional)



Variants that cannot be configured from the ordering example are available on request as a special version.
Reducing bush for guide sleeves available as accessory on request.

The manufacturer reserves the right to make changes to the products that it deems necessary for their improvement without prior notice.