

# Datasheet



Electronic display with preselection function, programmable

## Features at a glance

- Display with 6-digits process value (PV) and 6-digits set value (SV)
- Operation with 1 set value from -9999 to +999999
- Reset-, Pause-, Ch-A- and Ch-B- counting inputs
- Relay output or transistor output (optional)
- NPN/PNP type operation
- Reset automatically when preset is reached or manually by key
- INC, DEC, INC/INC, INC/DEC, UP/DOWN x1 / x2 / x4 counting with phase shifting property
- Multiplication coefficient and decimal point position



## Mechanical characteristics

|                       |                                       |
|-----------------------|---------------------------------------|
| Dimensions            | 96 x 48 mm (W x H); Depth: 96 mm      |
| Weight                | 240 g                                 |
| Process value display | 13.2 mm, red, 6-digits; LED display   |
| Set value display     | 8 mm, green, 6-digits; LED display    |
| Storage temperature   | -40 °C to +85 °C                      |
| Operating temperature | 0 to 50 °C                            |
| Humidity              | 0 to 90% (no condensing)              |
| IP-rating             | IP65 (front side)<br>IP20 (rear side) |

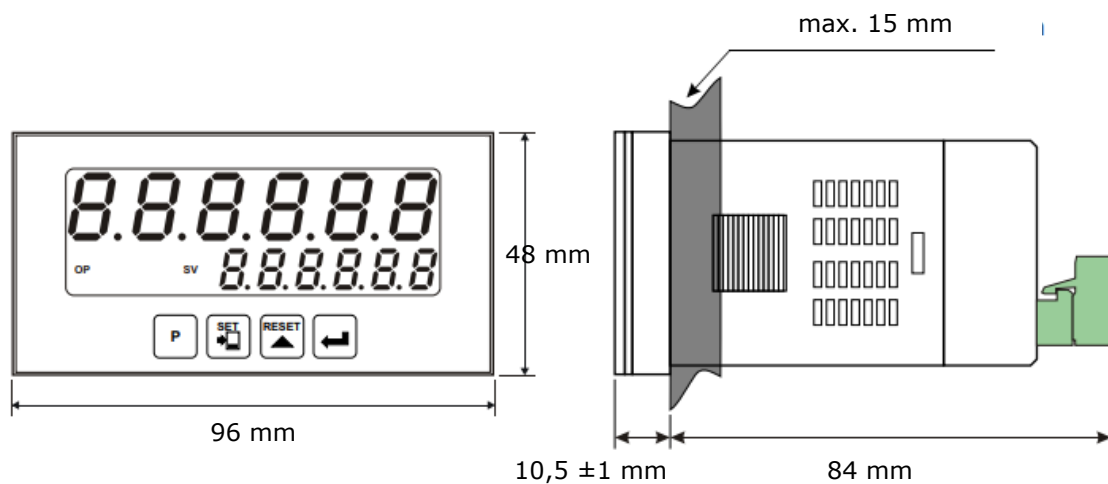
## Electrical characteristics

|                              |  |
|------------------------------|--|
| Counting inputs (Ch-A; Ch-B) | switch, proximity  |
| Capacitive sensor or encoder |  |
| Reset input                  | switch, proximity / automatic or manual  |
| Pause input                  | switch, proximity  |
| Sensor type                  | NPN or PNP   |
| Frequency                    | max. INC,DEC,INC/INC,INC/DEC,UP/DOWN max. 20 kHz.x1 / x2 / x4  |
| Phase shifting               | max.10 kHz   |
| Reset pause                  | 2 to 50 ms   |
| Sensor input                 | 12 VDC (±40%) max. 50 mA   |
| Relay output                 | 5 A at 250 VAC (resistive load)  |
| Transistor output (optional) |  |
| Power supply                 | 230 VAC (±15%) 50/60 Hz - 2,3 VA<br>115 VAC (±15%) 50/60 Hz - 2,3 VA<br>24 VAC (±15%) 50/60 Hz - 2,3 VA<br>24 VDC (±15%, +10%) - 4 W |

# Datasheet

## Dimensions

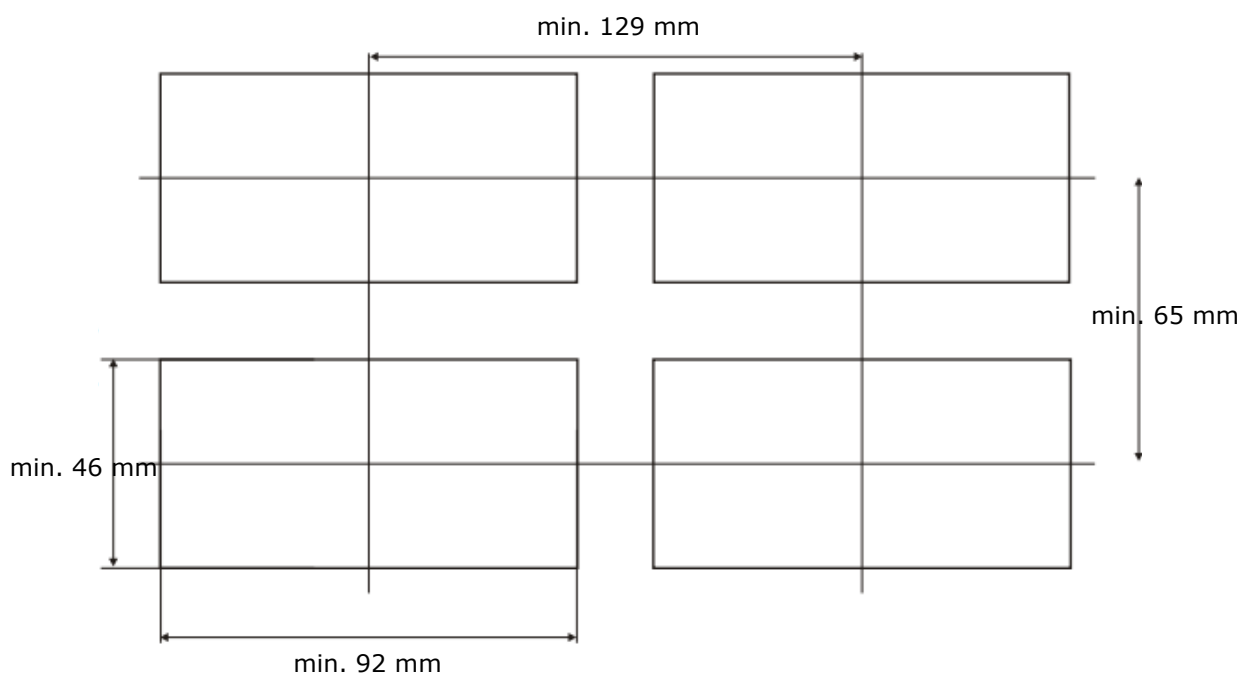
### VZE-96x48



Front side

Side

### Panel cut-out



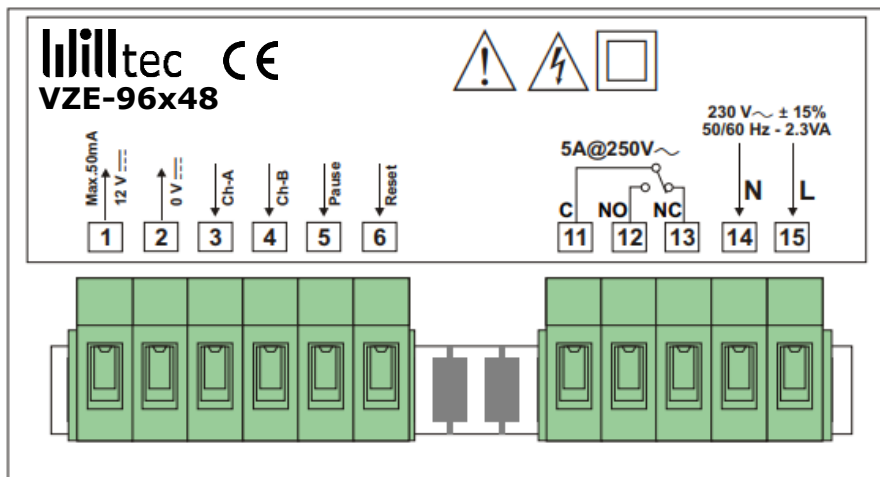
# Datasheet

## Electrical connection Terminal strip



The electrical wiring of the device must conform to the following electrical connection diagram to avoid damage to the process being controlled and injury to persons.

### VZE-96x48



Rear side

| PIN | Signal/Function                              |   |
|-----|--|---|
| 1   | Power supply Sensor                          | 12 VDC ( $\pm 40\%$ ) max. 50 mA  |
| 2   |  | 0 VDC   |
| 3   | Counting inputs                              | Ch-A  |
| 4   |  | Ch-B  |
| 5   |  | Pause   |
| 6   |  | Reset   |
| 11  | Relay output<br>Transistor output (optional) | C   |
| 12  |  | NO  |
| 13  |  | NC  |
| 14  | Power supply input                           | N   |
| 15  |  | L   |
|     |  | 115 VAC ( $\pm 15\%$ , $+10\%$ ) 50/60 Hz<br>230 VAC ( $\pm 15\%$ , $+10\%$ ) 50/60 Hz<br>24 VDC ( $\pm 15\%$ , $+10\%$ ) 50/60 Hz<br>24 VDC ( $\pm 15\%$ , $+10\%$ ) - 4 W |




### Power supply


The power supply of the preset counter must be specified via the ordering code.

# Datasheet

## Ordering example

|                        |  |   |              |   |           |   |           |
|------------------------|--|---|--------------|---|-----------|---|-----------|
| <b>Type</b>            | <b>VZE</b>                                   | - | <b>96x48</b> | - | <b>24</b> | - | <b>TA</b> |
| <b>Dimensions</b>      | <b>96x48</b> = 96 x 48 mm                    |   |              |   |           |   |           |
| <b>Power Supply</b>    | <b>24</b> = 24 VAC/VDC (-15%, +10%) 50/60 Hz |   |              |   |           |   |           |
|                        | 115 = 115 VAC (-15%, +10%) 50/60 Hz          |   |              |   |           |   |           |
|                        | 230 = 230 VAC (-15%, +10%) 50/60 Hz          |   |              |   |           |   |           |
| <b>Signal/Function</b> | <b>TA</b> = Transistor output (optional)     |   |              |   |           |   |           |

 Variants that cannot be configured from the ordering example are available on request as a special version.

 Depending on the application, we offer you the electronic preset counter in a wide variety of designs with customer-specific options. Information on the individual preset counters can be found on the corresponding data sheet.

| Type                           | VZE-48Q   | VZE-72Q   | VZE-96Q   | VZE-96x48   |
|--------------------------------|---|---|---|---|
|                                |  |  |  |  |
| Dimensions (W x H x D) mm      | 48 x 48 x 95  | 72 x 72 x 95,5  | 96 x 96 x 96  | 96 x 48 x 96  |
| LED display Process value (PV) | 8 mm, red, 6-digits   | 10,8 mm, red, 6-digits  | 13,2 mm, red, 6-digits  | 13,2 mm, red, 6-digits  |
| LED display Set value (SV)     | 8 mm, green, 6-digits   | 8 mm, green, 6-digits   | 8 mm, green, 6-digits   | 8 mm, green, 6-digits   |

The manufacturer reserves the right to make changes to the products that it deems necessary for their improvement without prior notice.