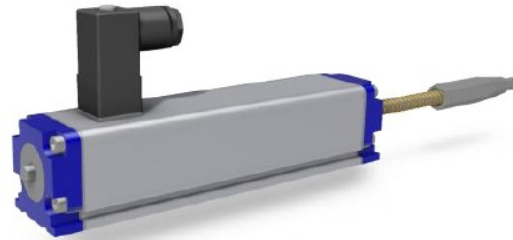


Datasheet

General features

- Measuring range 30 to 150 mm
- Long mechanical life: 100 million movements
- Excellent repeatability: <0.01 mm
- Infinitely variable resolution
- Resistance:
5 kOhm: 30 ... 150 mm
- Push-button with spring return

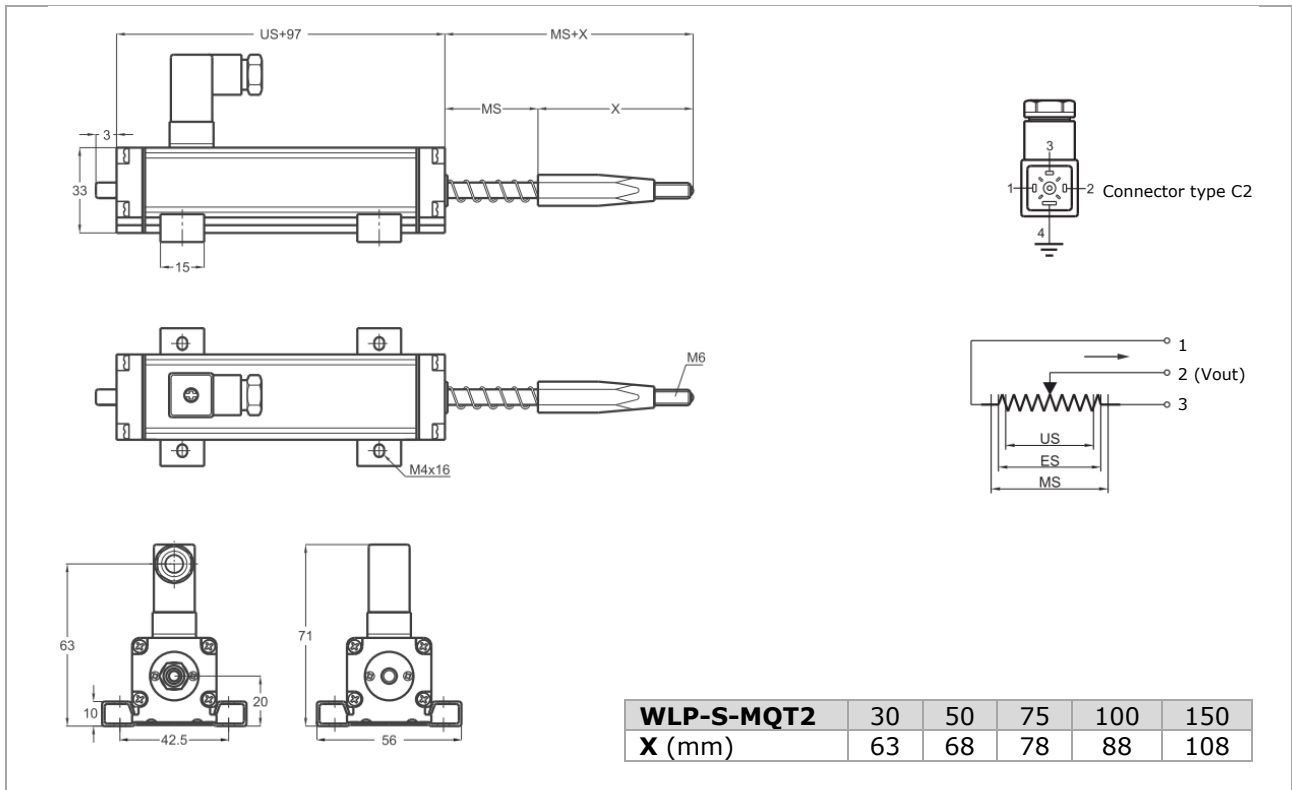


Technical specifications

Measurement stroke	30 ... 150 mm
Linearity	±%0.05 (>200 mm), ±%0.1 (130 - 200 mm), ±%0.2 (75 - 129 mm), ±%0.5 (<75 mm)
Repeatability	<0.01 mm
Resolution	Infinitely variable
Resistance	5 kOhm: 30 ... 150 mm
Resistance tolerance	±%20
Load resistance	100 kOhm min.
Recommended consumption current	<1 µA
Permissible applied voltage	28 VDC max.
Electrical connections	4 pin connector
Displacement speed	<5 m/s
Mechanical life	100 million movement
Case dimensions	33 mm x 33 mm
Case material	Anodized aluminium
Rod diameter	Ø6 mm
Rod material	Stainless steel
Mechanical fixing	Variable brackets
IP rating	IP54
Operating temperature	-20°C ... +80°C
Storage temperature	-30°C ... +90°C

Datasheet

Dimensions



Measuring range

WLP-S-MQT2 (mm)	30	50	75	100	125	150
US (Useful Stroke)	30	50	75	100	125	150
MS (Mechanical Stroke)	34	54	79	104	129	159
L (Total Length)	227	272	332	392	452	512

Datasheet

Ordering example

Type	WLP-S	-	MQT2	-	100	-	D	-	5K	-	C2
Category											
M	= medium; Ohm (resistance)										
Type of construction											
Q	= quadratic										
Location of electrical connection											
T	= Push-button with spring return										
Connection type											
2	= connector										
Measurement stroke (mm)											
30 ... 150 mm (see table)											
Linearity (%)											
A	= ±%0.5 (<75 mm)										
B	= ±%0.2 (75 - 129 mm)										
C	= ±%0.1 (130 - 200 mm)										
D	= ±%0.05 (>200 mm)										
Resistance (kOhm)											
5K	= 5 kOhm										
Electrical connection											
C2	= 4 pin connector (standard)										

Without prior notice, the products may be subject to modifications that the Manufacturer reserves to introduce as deemed necessary for their improvement.