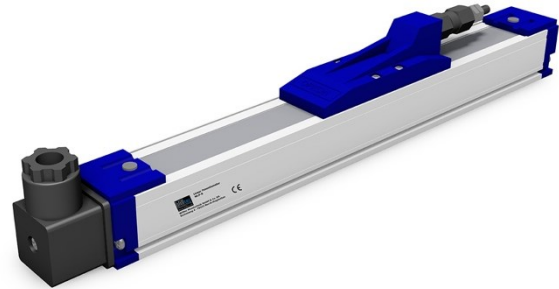


# Datasheet

## General features

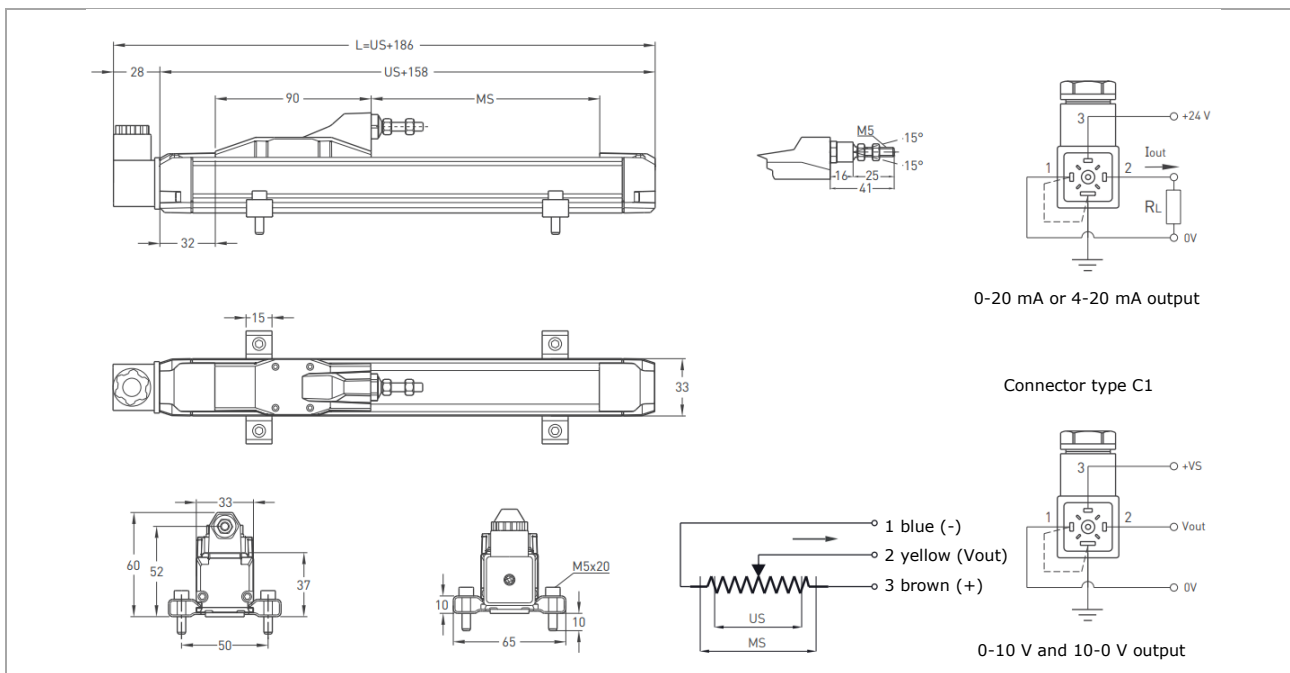
- Internal voltage / current conditioner circuit
- Measuring range 100 to 1950 mm
- Long mechanical life: 100 million movements
- Excellent repeatability: <0.01 mm
- Infinitely variable resolution
- Output: 4-20 mA, 0-20 mA, 0-10 V, or 20-4 mA, 20-0 mA, 10-0 V



## Technical specifications

Measurement stroke	100 to 1950 mm
Linearity	±%0.05 (>200 mm), ±%0.1 (130 - 200 mm), ±%0.2 (75 - 129 mm), ±%0.5 (<75 mm)
Repeatability	<0.01 mm
Resolution	Infinitely variable
Output	4-20 mA, 0-20 mA, 0-10 V, or 20-4 mA, 20-0 mA, 10-0 V
Permissible applied voltage	15 - 30 VDC max.
Electrical connections	4 pin connector
Displacement speed	<1.5 m/s
Mechanical life	100 million movement
Case dimensions	33 mm x 33 mm
Case material	Anodized aluminium
Rod diameter	∅6 mm
Rod material	Stainless steel
Mechanical fixing	Variable brackets
IP rating	IP40 (IP53 if mounted upside down)
Operating temperature	-20°C ... +80°C
Storage temperature	-30°C ... +90°C

## Dimensions



WLP-R-EQF2\_DB\_2023-03-27\_EN

# Datasheet

## Measuring range

<b>WLP-R-EQF2</b> (mm)	100	125	130	150	175	200	225	250	275	300
<b>US</b> (Useful Stroke)	100	125	130	150	175	200	225	250	275	300
<b>MS</b> (Mechanical Stroke)	104	129	134	154	179	204	229	254	279	304
<b>L</b> (Total Length)	321	346	351	371	396	421	446	471	496	521

<b>WLP-R-EQF2</b> (mm)	325	350	375	400	450	500	550	600	650	700
<b>US</b> (Useful Stroke)	325	350	375	400	450	500	550	600	650	700
<b>MS</b> (Mechanical Stroke)	329	354	379	404	454	504	554	604	654	704
<b>L</b> (Total Length)	546	571	596	621	671	721	771	821	871	921

<b>WLP-R-EQF2</b> (mm)	750	800	850	900	1000	1250	1500	1750	1950
<b>US</b> (Useful Stroke)	750	800	850	900	1000	1250	1500	1750	1950
<b>MS</b> (Mechanical Stroke)	754	804	854	904	1004	1254	1504	1754	1954
<b>L</b> (Total Length)	971	1021	1071	1121	1221	1471	1721	1921	2121

## Ordering example

<b>Type</b>	<b>WLP-R</b>	-	<b>EQF2</b>	-	<b>500</b>	-	<b>D</b>	-	<b>V10</b>	-	<b>C1</b>
<b>Category</b>											
<b>E</b>	= electrical; (voltage/current)										
<b>Type of construction</b>											
<b>Q</b>	= quadratic										
<b>Location of electrical connection</b>											
<b>F</b>	= frontal										
<b>Connection type</b>											
<b>2</b>	= connector										
<b>Measurement stroke</b> (mm)											
	30 ... 1000 mm (see table)										
<b>Linearity</b> (%)											
<b>A</b>	= ±%0.5 (<75 mm)										
<b>B</b>	= ±%0.2 (75 - 129 mm)										
<b>C</b>	= ±%0.1 (130 - 200 mm)										
<b>D</b>	= ±%0.05 (>200 mm)										
<b>Output</b> (mA or V)											
<b>I40</b>	= 4-20 mA										
<b>I04</b>	= 20-4 mA										
<b>I20</b>	= 0-20 mA										
<b>I02</b>	= 20-0 mA										
<b>V10</b>	= 0-10 V										
<b>V01</b>	= 10-0 V										
<b>Electrical connection</b>											
<b>C1</b>	= 4 pin connector (standard)										

Without prior notice, the products may be subject to modifications that the Manufacturer reserves to introduce as deemed necessary for their improvement.