

Datasheet

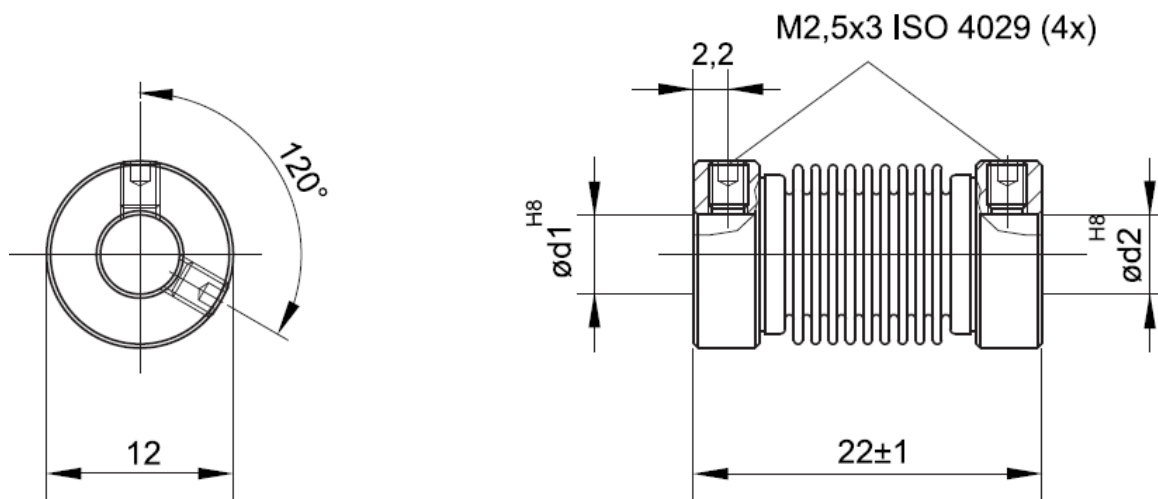
- Bellows Coupling - bronze-bellows
- Very small design, and hubs with set screw
- Backlash-free and angularly aligned transmission of rotary motions
- Optimum compensation of misalignments
- High torsional stiffness
- Low restoring forces
- Vibration-damping effect



Mechanical Data

Material	Flange Bellows	brass nickel-plated bronze (CuSn6) nickel plated
Weight		~ 8 g
Speed		< 10.000 min ⁻¹
Torque		< 15 Ncm
Offset of Shafts		radial ±0,2 mm axial ±0,4 mm angular ±2,5 °
Torsion Spring Stiffness		45 Nm/rad
Radial Spring Stiffness		30 N/mm
Moment of Inertia		1,8 gcm ²
Tightening Torque of Screw		< 50 Ncm
Temperature Range		+90 °C

Dimensions



Ø d1	Ø d2					Ordering Example
	2	3	4	5	6	
2	X	X	X	X	X	
3		X	X	X	X	
4			X	X	X	
5				X	X	BKBS-1222-05-06
6					X	