

Datasheet

- Easy and powerful measurement system in combination with pulse counters or display
- To linear and angular movements as Tool automatic, wooden, marble glass processing machines, cylinder, hydraulic or pneumatic tire, effective stroke, trapdoors, etc.
- Version
EFA: optical incremental encoder
- Easy mounting
- Impact resistant and self-extinguishing housing
- Resistance to solvents, gasoline, oil and grease



Mechanical Data

Version	EFA 4000	EFA 5000	EFA 6000	EFA 8000	EFA 10000	EFA 12000
Measuring Length [mm]	4200	5200	6200	8200	10200	12200
Repeatability with Quadrupled Count	±0,2		±0,3		±0,4	±0,5
Resolution EF	800 impulse pro 320 mm					
Color	gray RAL 7004					
Material	Aluminium, anodised					
Wight	400 g					
Speed	<0,7 m/s					
Wire Strength	< ~9 N					
Number of Cycles	400.000					
Operating Temperature	-10 to 70°C					
Relative Humidity	10 to 90 %					
IP-Rating	IP54					

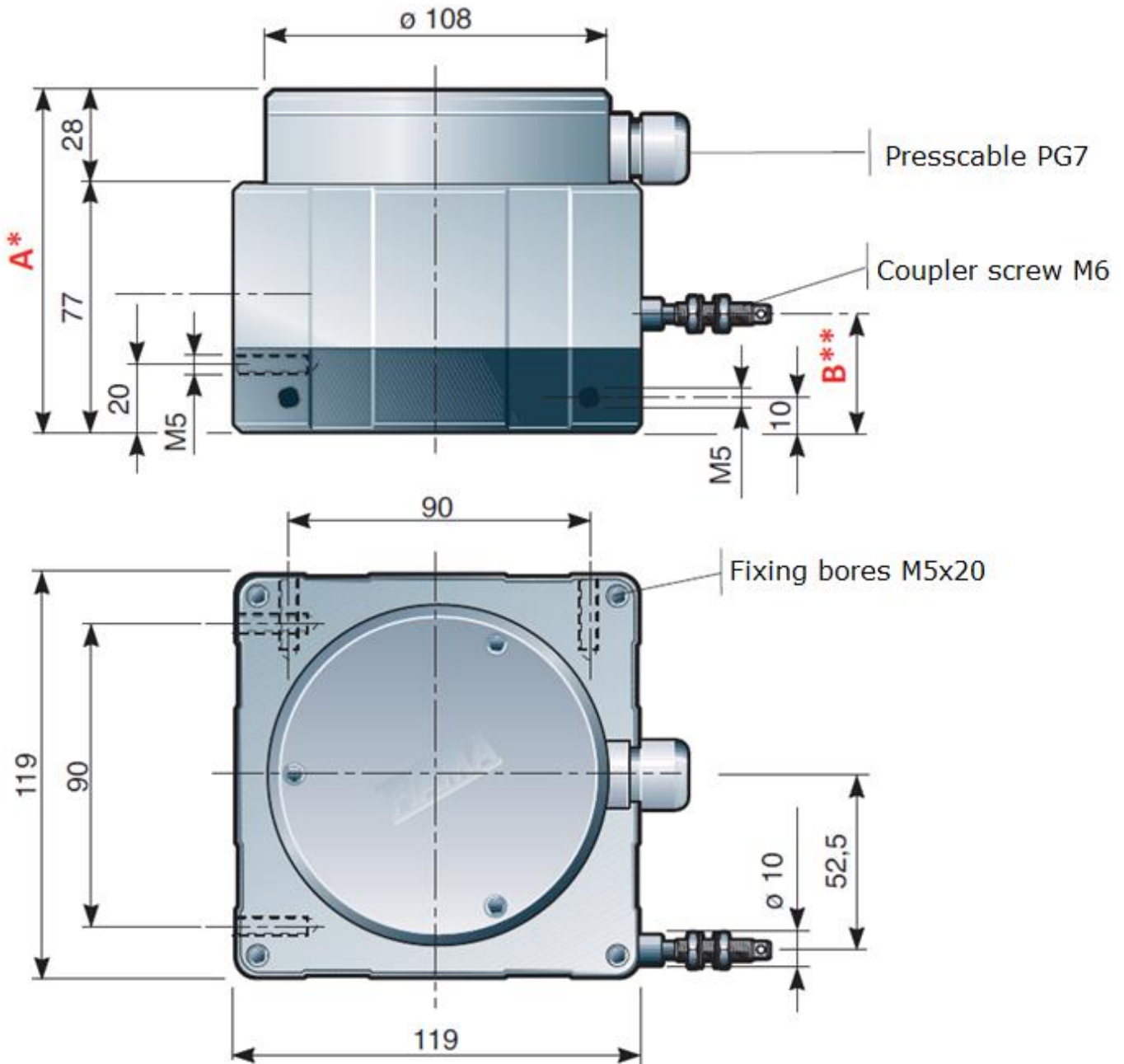
Electrical Data

Power Supply	10-30 VDC	<60 mA / Push Pull
	10-30 VDC	(5VDC) / Line Driver
Power Input	10-25 VDC	60 mA
	5 VDC	100 mA
Output Current	<20 mA	
Output Signal Line Driver	Push-Pull TTL-LD1 10-30Vdc out 5Vdc TTL-LD2 5Vdc out 5Vdc TTL-LD3 10-30Vdc out 10-30Vdc; 0 output every 5 mm wire pull	
Electrical Connection Terminal Board	5-pin	Push Pull
	8-pin	LineDriver
Electromagnetic compatibility	2004/108/CE	



Datasheet

Dimension



Version	A*	B**
EFA4000 - EFA5000 - EFA6000	105	39,5
EFA8000 - EFA10000 -EFA12000	135	49,5

Datasheet

Pin Assignment



Pin	Push Pull	Line Driver
1		GND
2	+24 V	+24 V / 5V
3		Z
4		B
5		A
6	-	\bar{A}
7	-	\bar{B}
8	-	\bar{Z}

Ordering Example

Type	EFA	-	4000	-	PP
Measuring Length					
4000					
5000					
6000					
8000					
10000					
12000					
Output Signal					
PP	= PP				
TTL-LD1	= 10-30Vdc	out 5Vdc			
TTL-LD2	= 5Vdc	out 5Vdc			
TTL-LD3	= 10-30Vdc	out 10-30Vdc;			