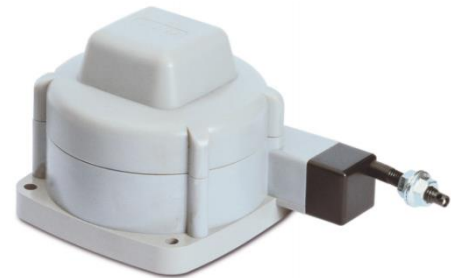


Datasheet

- Easy and powerful measurement system in combination with pulse counters or display
- To linear and angular movements as Tool automatic, wooden, marble glass processing machines, cylinder, hydraulic or pneumatic tire, effective stroke, trapdoors, etc.
- Version
 PF: precision rotating potentiometer
- Easy mounting
- Impact resistant and self-extinguishing housing
- Resistance to solvents, gasoline, oil and grease



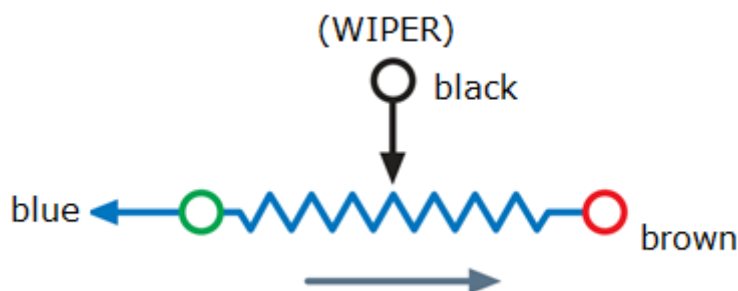
Mechanical Data

Version	PF1000	PF2000
Dimension		
Measuring Length	0-1000	0-2000
Available Stroke	1150	2200
Number of Cycles	400000	350000
Wight	400 g	
Linearity	±0,25 %	
Color	grey RAL 7004	
Speed	<0,5 m/s	
Wire Strength	< ~5,5 N	
Operating Temperature	-10 to 70°C	
Relative Humidity	10 to 90 %	
IP-Rating	IP54	

Electrical Data

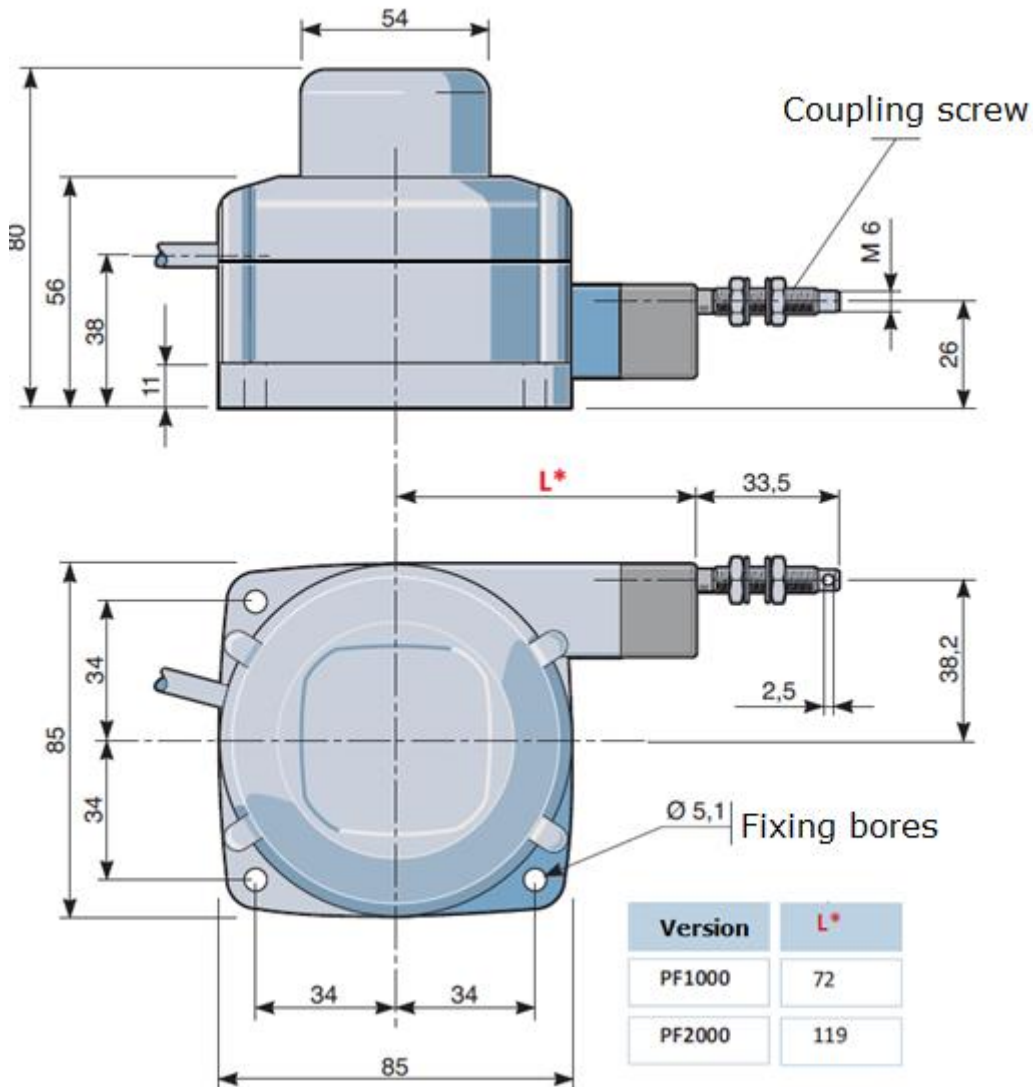
Resistance	10 KΩ ±10%
Power Capacity	<1 W
Electrical Connection	
Cable Length [m]	2,5,10
Electromagnetic compatibility (EMC)	2004/108/CE
Optional	
Analog Output (T)	I = 4-20 mA V = 0-10 VDC

Circuit Data



Datasheet

Dimensions



Ordering Example

Type	PF	-	2000	-	T-I	-	2
Measuring Length [mm]							
1000							
2000							
Output Signal							
T	= Analog Output (optional)						
I	= 4-20 mA						
V	= 0-10 VDC						
Cable Length [m]							
2; 5; 10							