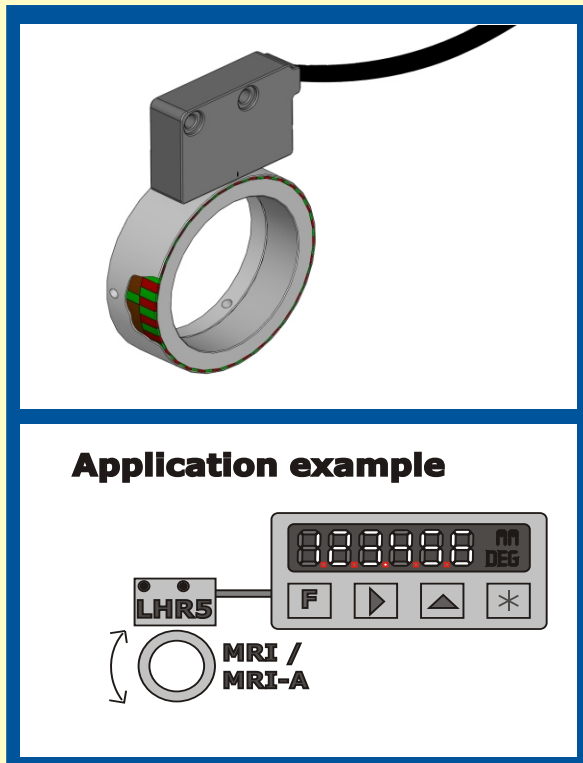


Magnetic rings MRI+MRI-A



Characteristics

Magnetic rings provide in combination with the magnetic sensors LHR5 or LWR5 a simple and precise solution for rotational angle and speed measurement with particular advantages:

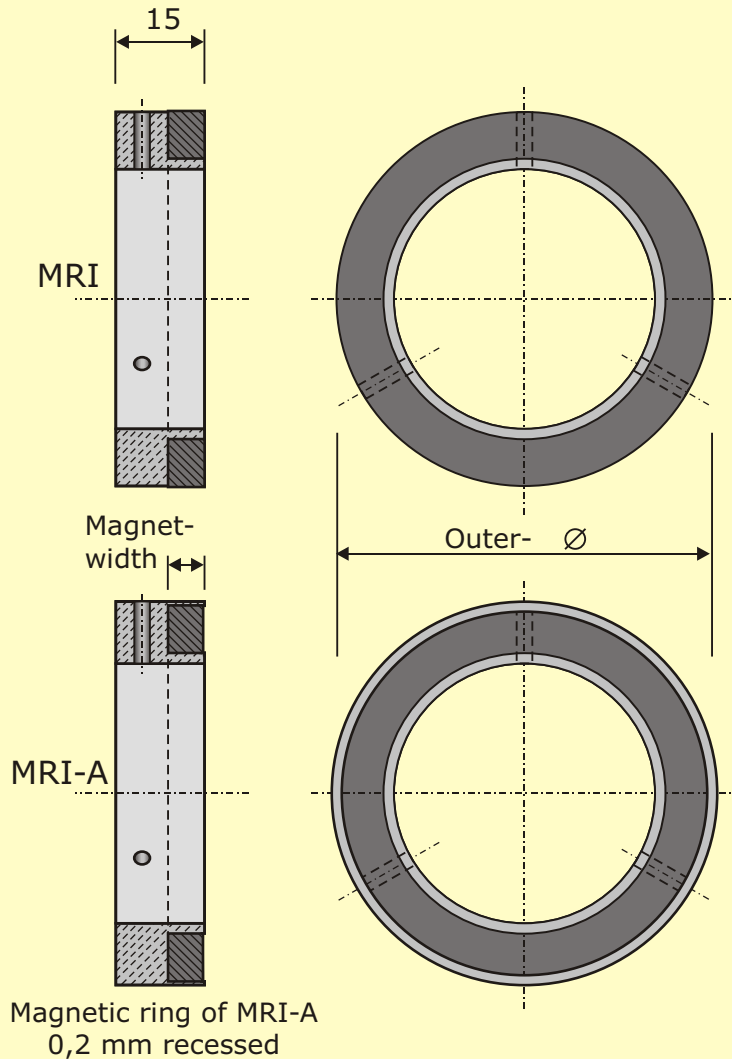
- Flat design
- Insensitive to dust, humidity and shavings
- Wear-free scanning
- High resolution

Variants - Magnetic rings MRI / MRI-A

Type	Outer- Ø	Magnet width	Number of poles	Inner diameter	
				Standard	On request
MRI	31	5	20	8, 14, 20	6 - 20
MRI	38	5	24	8, 14, 20	6 - 25
MRI	50	8	32	20, 40	10 - 40
MRI	72	7	46	20, 50	10 - 50
MRI	80	10	50	20, 50	10 - 50
MRI-A	32	5	20	8, 14, 20	6 - 20
MRI-A	39	5	24	8, 14, 20	6 - 25
MRI-A	51	8	32	20, 40	10 - 40
MRI-A	73	7	46	20, 50	10 - 50

Note: Pole pitch 5 mm (more on request)
or single signal

Dimensions - Magnetic rings MRI / MRI-A



Fastening thread M3

Shaft diameter > 30 mm: 3 x M3 / 120°

Shaft diameter < 30 mm: 2 x M3 / 120°

Ordering example - Magnetic rings MRI / MRI-A

MRI-A - 31 - 20 - 5 - 20

Type _____

MRI
MRI-A

Outer-Ø _____

31, 32, 38, 39, 50, 51, 72, 73, 80 [mm]

Pole pitch _____

20, 24, 32, 46 (more on request)

Pole pitch /Single signal _____

5 - 5 mm (more on request)
E - single signal

Inner- Ø _____

see diagramm "Variants"