

Datasheet

General features

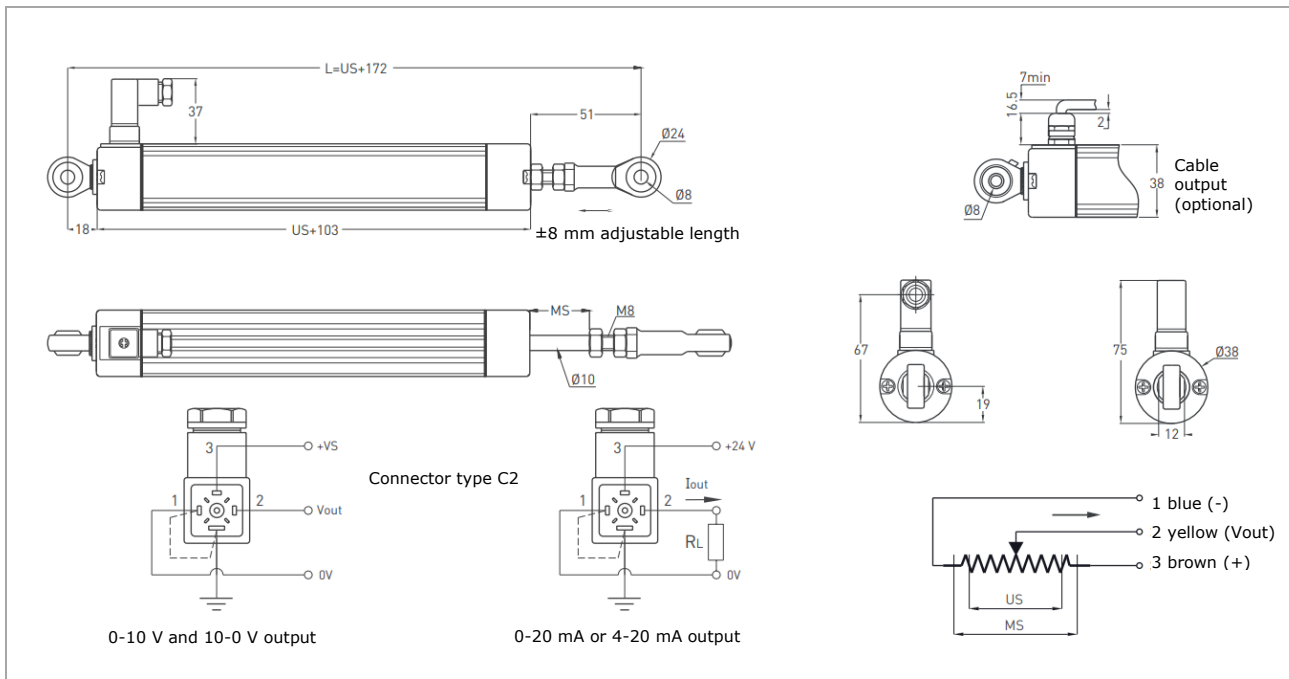
- Internal voltage / current conditioner circuit
- Measuring range 50 to 800 mm
- Long mechanical life: 100 million movements
- Excellent repeatability: <math><0.01\text{ mm}</math>
- Infinitely variable resolution
- Output: 4-20 mA, 0-20 mA, 0-10 V, 20-4 mA, 20-0 mA, 10-0 V



Technical specifications

Measurement stroke	50 to 800 mm
Linearity	$\pm 0.05\%$ (>200 mm), $\pm 0.1\%$ (130 - 200 mm), $\pm 0.2\%$ (75 - 129 mm), $\pm 0.5\%$ (<75 mm)
Repeatability	<math><0.01\text{ mm}</math>
Resolution	Infinitely variable
Output	4-20 mA, 0-20 mA, 0-10 V, 20-4 mA, 20-0 mA, 10-0 V
Permissible applied voltage	15 - 30 VDC max.
Electrical connections	4 pin connector (standard), cable (optional)
Displacement speed	<math><5\text{ m/s}</math>
Mechanical life	100 million movement
Case dimensions	$\varnothing 38\text{ mm}$
Case material	Anodized aluminium
Rod diameter	$\varnothing 10\text{ mm}$
Rod material	Stainless steel
Mechanical fixing	Ball joints at both ends
IP rating	IP65
Operating temperature	-20°C ... +80°C
Storage temperature	-30°C ... +90°C

Dimensions



WLP-C-ERS1-S2_DB_2023-27-03_EN

Datasheet

Measuring range

WLP-C-ERS1/-S2 (mm)	50	75	100	125	130	150	175	200	225	250	275	300
US (Useful Stroke)	50	75	100	125	130	150	175	200	225	250	275	300
MS (Mechanical Stroke)	55	80	105	130	135	155	180	205	230	255	280	305
L (Total Length)	222	247	272	297	302	322	347	372	397	422	447	472

WLP-C-ERS1/-S2 (mm)	325	350	375	400	450	500	550	600	650	700	750	800
US (Useful Stroke)	325	350	375	400	450	500	550	600	650	700	750	800
MS (Mechanical Stroke)	330	355	380	405	455	505	555	605	655	705	755	805
L (Total Length)	497	522	547	572	622	672	722	772	822	872	922	972

Ordering example

Type	WLP-C	-	ERS2	-	500	-	D	-	V10	-	C2
Category											
E	= electrical; (voltage/current)										
Type of construction											
R	= round										
Location of electrical connection											
S	= lateral										
Connection type											
1	= cable										
2	= connector										
Measurement stroke (mm)											
	50 ... 800 mm (see table)										
Linearity (%)											
A	= ±%0.5 (<75 mm)										
B	= ±%0.2 (75 - 129 mm)										
C	= ±%0.1 (130 - 200 mm)										
D	= ±%0.05 (>200 mm)										
Output (mA or V)											
I40	= 4-20 mA										
I04	= 20-4 mA										
I20	= 0-20 mA										
I02	= 20-0 mA										
V10	= 0-10 V										
V01	= 10-0 V										
Electrical connection											
C2	= 4 pin connector (standard)										
1M5	= 1.5 meter cable (optional), open cable end										

Without prior notice, the products may be subject to modifications that the Manufacturer reserves to introduce as deemed necessary for their improvement.