

# Datasheet

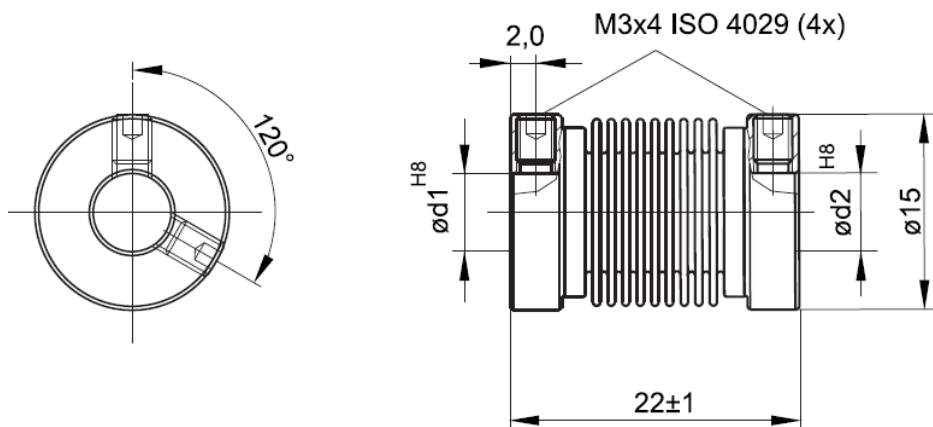
- Bellows Coupling - stainless steel bellows
- With hubs and set screws
- Backlash-free and angularly aligned transmission of rotary motions
- Optimum compensation of misalignments
- High torsional stiffness
- Low restoring forces
- Vibration-damping effect



## Mechanical Data

|                            |                   |   |
|----------------------------|-------------------|---|
| Material                   | Flange<br>Bellows | aluminium anodised<br>stainless steel             |
| Weight                     |                   | ~ 6,5 g   |
| Speed                      |                   | < 10.000 min <sup>-1</sup>                        |
| Torque                     |                   | < 40 Ncm  |
| Offset of Shafts           |                   | radial ±0,25 mm<br>axial ±0,45 mm<br>angular ±4 ° |
| Torsion Spring Stiffness   |                   | 85 Nm/rad   |
| Radial Spring Stiffness    |                   | 20 N/mm   |
| Moment of Inertia          |                   | 2,1 gcm <sup>2</sup>                              |
| Tightening Torque of Screw |                   | < 70 Ncm  |
| Temperature Range          |                   | -30 °C ... +120°C                                 |

## Dimensions



| Ø d1 | Ø d2 |   |   |   |          |   | Ordering Example       |
|------|------|---|---|---|----------|---|------------------------|
|      | 2    | 3 | 4 | 5 | 6        | 8 |                        |
| 2    | X    | X | X | X | X        | X |                        |
| 3    |      | X | X | X | X        | X |                        |
| 4    |      |   | X | X | X        | X |                        |
| 5    |      |   |   | X | <b>X</b> | X | <b>BKXS-1522-05-06</b> |
| 6    |      |   |   |   | X        | X |                        |
| 8    |      |   |   |   |          | X |                        |