

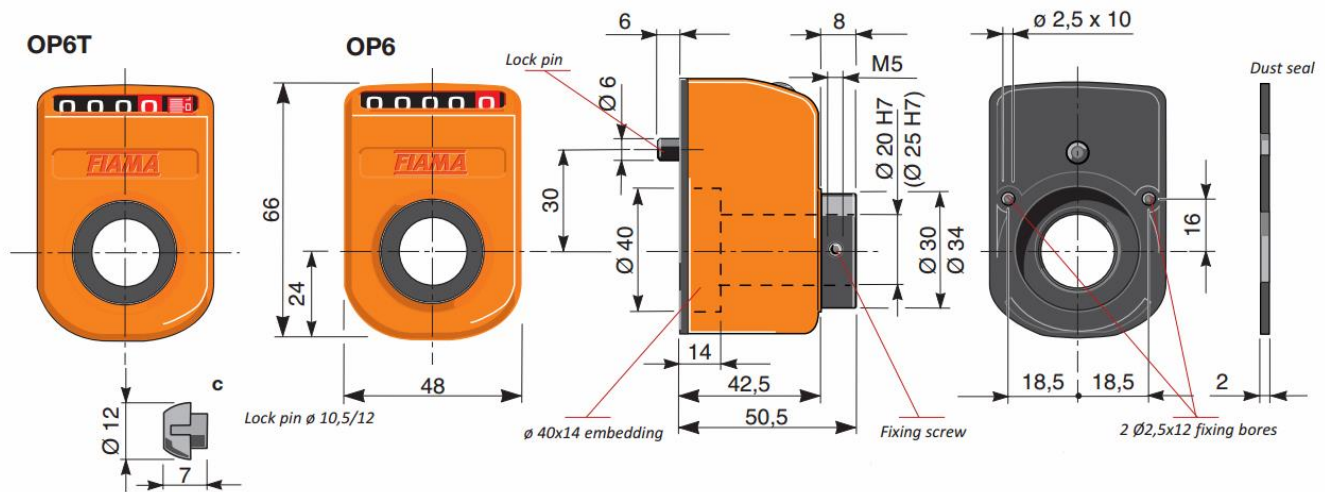
# Datasheet

## Characteristics

- 5 digit indicator to adjust and directly read a motion (or an angle)
- Impact resistant and self-extinguishing Polymer housing
- Various view options available
- Protection class IP64
- Hollow shaft optionally in stainless steel (VA)
- Optionally with vernier (4 digits counter)



## Dimensions



Introduce the indicator through the hollow shaft and set the lock pin into the  $\varnothing 6$  arranged hole. Set the instrument on the inner (zero) value and block the fixing screw.

## Mechanical data

Material	housing hollow shaft	technopolymer, self extinguishing steel or stainless steel
Digits	1 red digits 2 red or 5 black digits	decimals (standard) hundredths (on request)
Digit height		6 mm
Reading		until 99999
Shaft	OP6/OP6T OP6F25/OP6TF25	$\varnothing 20$ mm $\varnothing 25$ mm
Colour		orange RAL2004; red RAL3000 black RAL9005; grey RAL7004
Operating temperature		max. 80°C
Options on request		measure in Inch, special ratios <b>attachments</b> anodized aluminium shaft block flange (FL-B)

# Datasheet

## Pitch

pitch mm	Measure after 1 revolution		Maximum rotation speed	
	mm	inch	rpm	inch
0,7/5	0007	5	500	
1,00	00100		100	
1,0	00010		500	
1,2/5	00012	5	00039	(37) 200
1,5	00015		500	
1,7/5	00017	5	400	
2,0	00020		00078	(74) 100
2,5	00025		300	
3,0	00030		00011	(81) 500
3,5	00035		200	
4,0	00040		00015	(74) 500
5,0	00050		00019	(68) 400
6,0	00060		100	
7,5	00075		100	
8,0	00080		100	200
10,0	00100		00039	(37) 80
12,0	00120		80	
15,0	00150		60	
20,0	00200		50	

## Mounting position

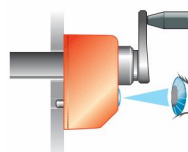
View A - horizontal



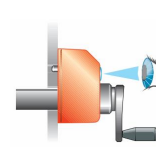
View B - vertical



View C - front bottom



View D - front top



## Ordering example

**Type** OP6 - A - 2,5 - DX - 20 - R

T - with vernier  
F25- shaft diameter Ø25 mm

### View

A - B - C - D

### Pitch

Measure after one revolution see table

### Counting direction

DX - clockwise  
SX - anti-clockwise

### Shaft diameter [mm]

VA - stainless steel  
Ø 20 (or 25 for OP6F25)  
smaller diameters with reducing bush

### Box colour

R - orange  
G - black  
GR - grey  
HR - red