

# Datasheet

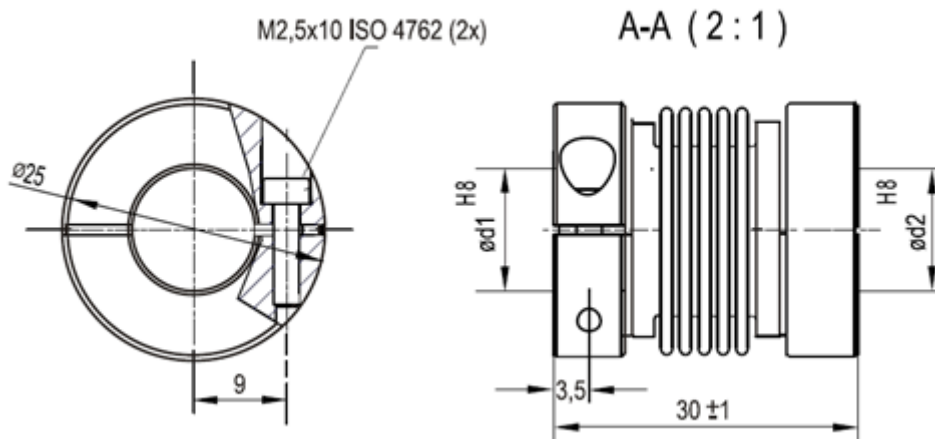
- Bellows Coupling - stainless steel bellows
- With clamping hubs
- Backlash-free and angularly aligned transmission of rotary motions
- Optimum compensation of misalignments
- High torsional stiffness
- Low restoring forces
- Vibration-damping effect



## Mechanical Data

Material	Flange Bellows	aluminium anodised stainless steel
Weight		~ 20 g
Speed		< 10.000 min <sup>-1</sup>
Torque		< 200 Ncm
Offset of Shafts		radial ±0,3 mm axial ±0,4 mm angular ±4 °
Torsion Spring Stiffness		220 Nm/rad
Radial Spring Stiffness		45 N/mm
Moment of Inertia		29,8 gcm <sup>2</sup>
Tightening Torque of Screw (Ø9,525 mm ± Ø3/8 inch)		< 100 Ncm
Temperature Range		-30 °C ... +120 °C

## Dimensions



Ø d1	Ø d2					Ordering Example
	6	8	95	10	12	
6	X	X	X	X	X	
8		X	X	X	X	
95			X	X	X	
10				X	<b>X</b>	<b>BKXK-2530-10-12</b>
12					X	

Ø95 ± Ø9,52 mm ± Ø3/8 inch