

Datasheet

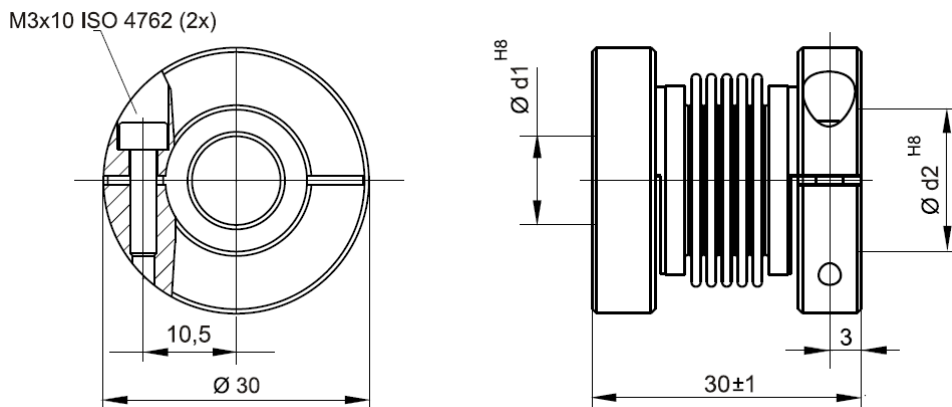
- Bellows Coupling - stainless steel bellows
- With clamping hubs
- Backlash-free and angularly aligned transmission of rotary motions
- Optimum compensation of misalignments
- High torsional stiffness
- Low restoring forces
- Vibration-damping effect



Mechanical Data

Material	Flange Bellows	aluminium anodised stainless steel
Weight		~ 31 g
Speed		< 10.000 min ⁻¹
Torque		< 200 Ncm
Offset of Shafts		radial ±0,3 mm axial ±0,4 mm angular ±4 °
Torsion Spring Stiffness		240 Nm/rad
Radial Spring Stiffness		80 N/mm
Moment of Inertia		37 gcm ²
Tightening Torque of Screw		< 120 Ncm
Temperature Range		-30 °C bis +120 °C

Dimensions



Ø d1	Ø d2						Ordering Example
	8	10	12	14	15	16	
8	X	X	X	X	X	X	
10		X	X	X	X	X	
12			X	X	X	X	
14				X	X	X	BKXK-3030-14-25
15					X	X	
16						X	