

Datasheet



Precise power transmission of aligned elements



Features at a glance

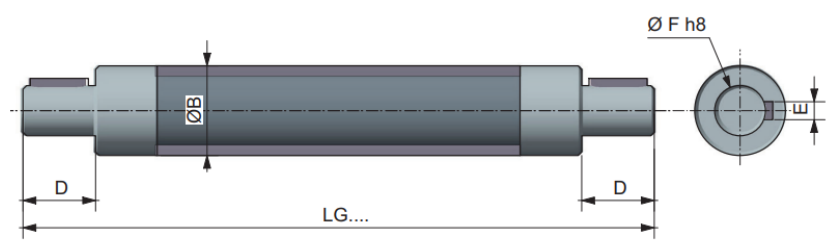



Rigid shafts type **AR** are used to directly connect parts which are perfectly aligned without any offset.

- Universal applicability, high reliability, maintenance-free, extremely precise, and easy-of-use.
- Suitable for manual and motorised drives.
- Simple and quick installation, without the need for other supports.
- Centre tube is made of aluminium, couplings made of solid stainless steel (AISI 303).



Our AR rigid shafts are available in combination with **GC** cardan joints. This allows easy and precise transmission of torque and movement of two non-aligned shaft ends at a distance and compensation of misalignments.

Dimensions

AR					Combinations with GC_
					
					
					
Ø B	D	E	F	for GC	
10	10	-	6	GC06	
14	14	-	8	GC08	
20	15	3	10	GC10	
20	15	5	14	GC14	
25	20	5	14	GC14	

All dimensions in mm

Datasheet

Ordering example

Type	AR	-	10	-	200
AR					
Diameter					
10	= rigid shaft Ø10 mm				
14	= rigid shaft Ø14 mm				
20	= rigid shaft Ø20 mm				
25	= rigid shaft Ø25 mm				
Total length (mm)					
200					



Other versions that cannot be generated from the order code are available on request as special versions.

Our AR rigid shafts are available in combination with GC cardan joints. Please order GC cardan joints separately. For more information on our GC cardan joints, please refer to the corresponding data sheet.

Manufacturer:



The manufacturer reserves the right to make changes to the products that it deems necessary for their improvement without prior notice.