

# Datasheet

## General features

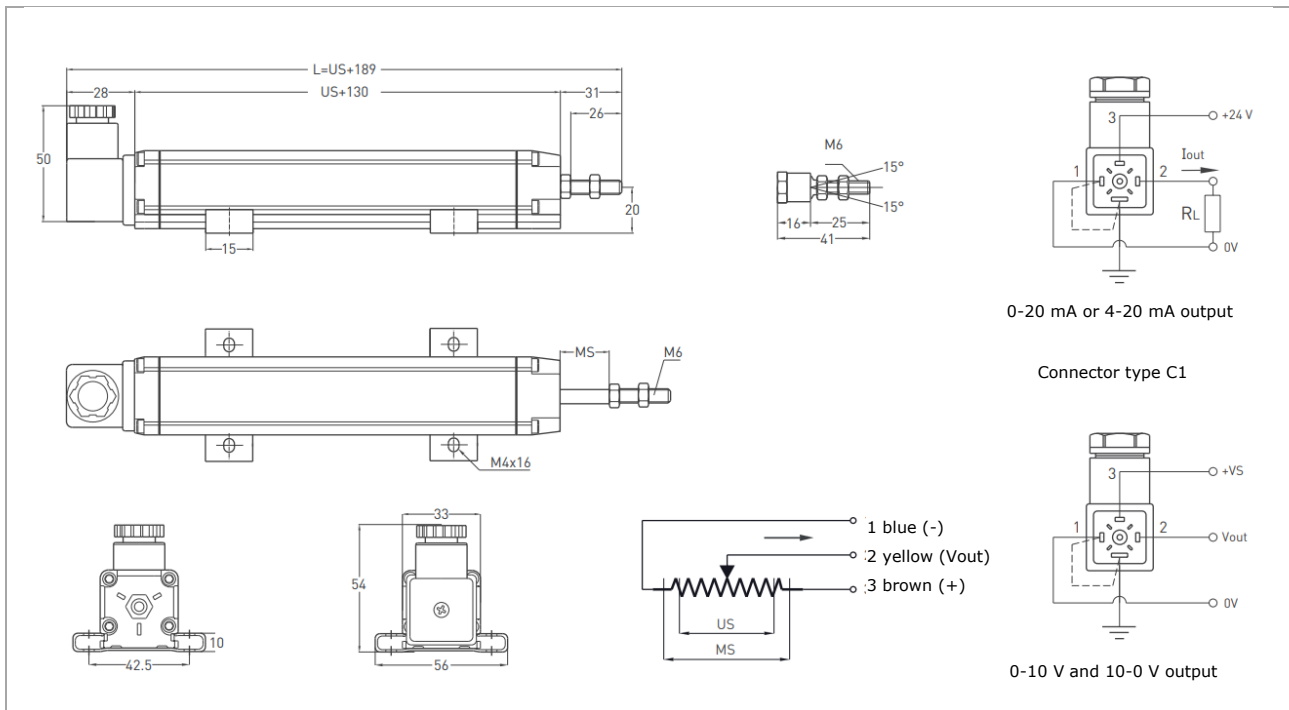
- Internal voltage / current conditioner circuit
- Measuring range 30 to 1000 mm
- Long mechanical life: 100 million movements
- Excellent repeatability: <math><0.01\text{ mm}</math>
- Infinitely variable resolution
- Output: 4-20 mA, 0-20 mA, 0-10 V, or 20-4 mA, 20-0 mA, 10-0 V



## Technical specifications

Measurement stroke	30 to 1000 mm
Linearity	$\pm 0.05\%$ (>200 mm), $\pm 0.1\%$ (130 - 200 mm), $\pm 0.2\%$ (75 - 129 mm), $\pm 0.5\%$ (<75 mm)
Repeatability	<math><0.01\text{ mm}</math>
Resolution	Infinitely variable
Output	4-20 mA, 0-20 mA, 0-10 V, or 20-4 mA, 20-0 mA, 10-0 V
Permissible applied voltage	15 - 30 VDC max.
Electrical connections	4 pin connector
Displacement speed	<math><5\text{ m/s}</math>
Mechanical life	100 million movement
Case dimensions	33 mm x 33 mm
Case material	Anodized aluminium
Rod diameter	$\varnothing 6\text{ mm}$
Rod material	Stainless steel
Mechanical fixing	Variable brackets
IP rating	IP65
Operating temperature	-20°C ... +80°C
Storage temperature	-30°C ... +90°C

## Dimensions



WLP-L-EQF2\_DB\_2023-03-27\_EN

# Datasheet

## Measuring range

<b>WLP-L-EQF2</b> (mm)	30	50	75	100	125	130	150	175	200	225
<b>US</b> (Useful Stroke)	30	50	75	100	125	130	150	175	200	225
<b>MS</b> (Mechanical Stroke)	33	53	78	103	128	133	153	178	203	228
<b>L</b> (Total Length)	219	239	264	289	314	319	339	364	389	414

<b>WLP-L-EQF2</b> (mm)	250	275	300	325	350	375	400	450	500	550
<b>US</b> (Useful Stroke)	250	275	300	325	350	375	400	450	500	550
<b>MS</b> (Mechanical Stroke)	253	278	303	328	353	378	403	453	503	553
<b>L</b> (Total Length)	439	464	489	514	539	564	589	639	689	739

<b>WLP-L-EQF2</b> (mm)	600	650	700	750	800	850	900	1000
<b>US</b> (Useful Stroke)	600	650	700	750	800	850	900	1000
<b>MS</b> (Mechanical Stroke)	603	653	703	753	803	853	903	1003
<b>L</b> (Total Length)	789	839	889	939	989	1039	1089	1189

## Ordering example

<b>Type</b>	<b>WLP-L</b>	-	<b>EQF2</b>	-	<b>500</b>	-	<b>D</b>	-	<b>V10</b>	-	<b>C1</b>
<b>Category</b>											
<b>E</b>	= electrical; (voltage/current)										
<b>Type of construction</b>											
<b>Q</b>	= quadratic										
<b>Location of electrical connection</b>											
<b>F</b>	= frontal										
<b>Connection type</b>											
<b>2</b>	= connector										
<b>Measurement stroke</b> (mm)											
	30 ... 1000 mm (see table)										
<b>Linearity</b> (%)											
<b>A</b>	= ±%0.5 (<75 mm)										
<b>B</b>	= ±%0.2 (75 - 129 mm)										
<b>C</b>	= ±%0.1 (130 - 200 mm)										
<b>D</b>	= ±%0.05 (>200 mm)										
<b>Output</b> (mA or V)											
<b>I40</b>	= 4-20 mA										
<b>I04</b>	= 20-4 mA										
<b>I20</b>	= 0-20 mA										
<b>I02</b>	= 20-0 mA										
<b>V10</b>	= 0-10 V										
<b>V01</b>	= 10-0 V										
<b>Electrical connection</b>											
<b>C1</b>	= 4 pin connector (standard)										