

# Datasheet

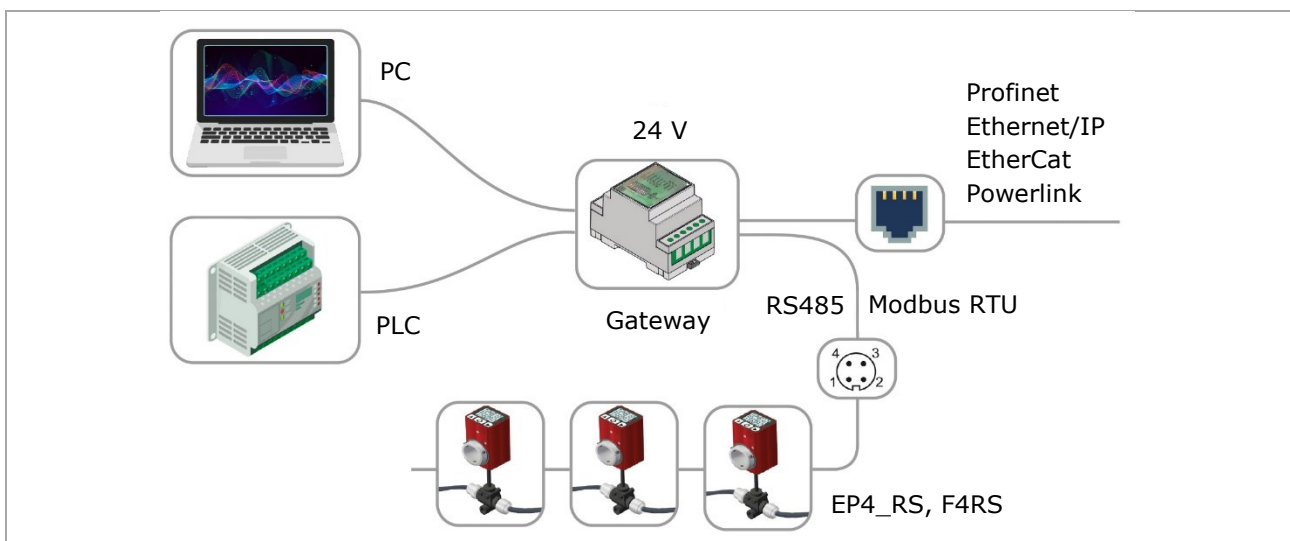
Enables simple fieldbus connectivity of programmable position indicators



## Features at a glance

- Protocol converter which connects the EP4\_RS and F4RS position indicators to Profinet, Ethernet/IP, EtherCat and Powerlink fieldbus networks.
- Performance increase of the connected devices which can function as encoders to provide position feedback.
- Extremely easy start-up with initial network configuration, entirely through the integrated web server, using only four parameters.
- Centralization of the information detected by all connected devices.
- Very fast and customizable data configuration and reading operations.
- Configuration of the parameters of all connected EP4\_RS and F4RS devices.
- Fieldbus visualization of the positions reached by the connected devices.
- Real-time diagnostics of the current state of the connected devices.
- User guide through LEDs.
- Perfectly compatible with all EP4\_RS and F4RS versions.

## Application scheme



**Technical characteristics**

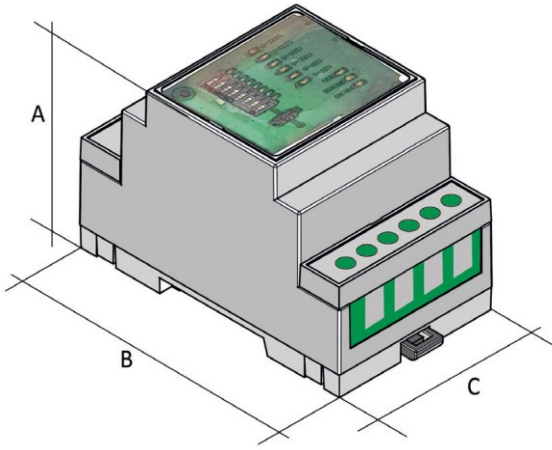
Power supply	10 - 30 VDC, max. 200 mA
Fieldbus	Profinet, Ethernet/IP, EtherCat und Powerlink
Serial port	RS485 - Modbus RTU protocol
Ethernet port connector	2x connector RS485, socket
Power supply /serial input connection	5-pole terminal block
Modbus scan rate, max.	12 ms per device
Number of supported devices, max.	16
Operating temperature	0°C to +50°C
Electromagnetic compatibility (EMC)	2014/30/UE
RoHS	2011/65/UE

**Dimensions**

**3M** (3 Modules):  
**A** = 62 mm (high)  
**B** = 90 mm (width)  
**C** = 53 mm (depth)

Housing dimensions and associated installation dimensions according to DIN 43880

Colour: grey RAL 7035  
 Weight: 45 g



Mounting using snap-on fastening on a symmetrical top-hat rail according to DIN EN 50022.

**Wiring diagram**


Positive RS485 serial port RS+

Negative RS485 serial port RS-

RS485 COM

Negative power supply GND-

Positive power supply GND+



→ Ethernet Port 0

→ Ethernet Port 1

Please pay special attention in carrying out the electrical wiring: applying power to the pins of the serial port damages the device.

**Ordering example**

**Type** **GATEWAY-EP4-F4** - **PROFINET**

**GATEWAY-EP4-F4** = Gateway for position indicators EP43RS, EP46RS and F4RS

**Fieldbus**

- PROFINET** = Profinet
- ETHERNETIP = EtherNet/IP
- ETHERCAT = EtherCat
- POWERLINK = Ethernet Powerlink

Manufacturer: **FIAMA**  
since 1913

The manufacturer reserves the right to make changes to the products that it deems necessary for their improvement without prior notice.