

Datasheet

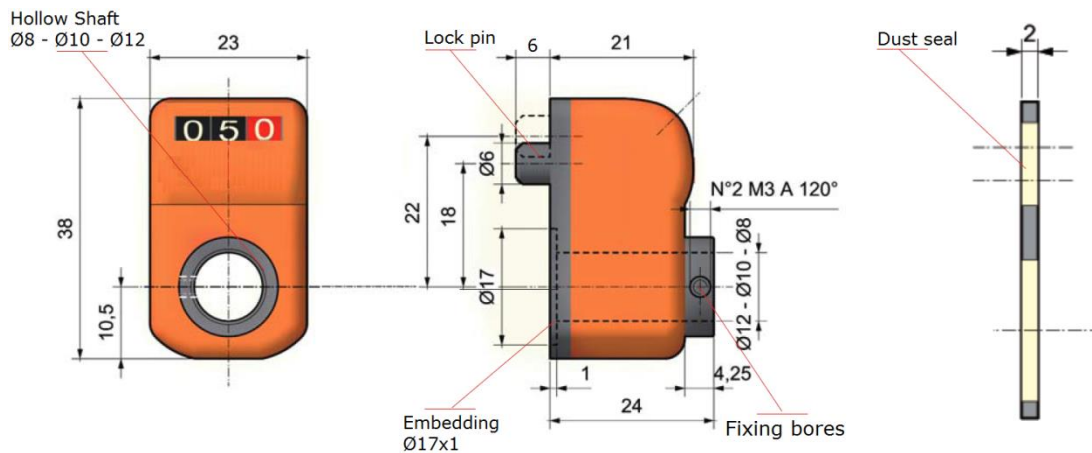
- 3 digit indicator to adjust and directly read a motion (or an angle)
- Inclined view at 45° for horizontal shafts and for vertical shafts
- excellent readability given by the means of magnifying window
- particularly suitable for little adjustments in small spaces



Mechanical Data

Dimension Hollows Shaft Torque Support	Ø8; Ø10; Ø12 H7 mm Ø18 mm Ø22 mm (on request)
Material Housing Window Hollow Shaft	technopolymer, self-extinguishing magnifying lens stainless steel
Measuring Range	< 999
Digit Height	6 mm
Digits 1 red digits 2 red or 3 black digits	decimals (standard) hundredths (on request)
Operating Temperature	< 80°C
IP-Rating	IP64
Options on request Color (glossy finish)	measure in Inch, special ratios orange -> RAL2004 black -> RAL9005 grey -> RAL7004
Accessories	shaft block flange (FKE) movement knob (DK) spacer flange (FL)

Dimensions



Introduce the indicator through the hollow shaft and set the lock pin into the Ø6 arranged hole. Set the instrument on the inner (zero) value and block with the fixing screw.

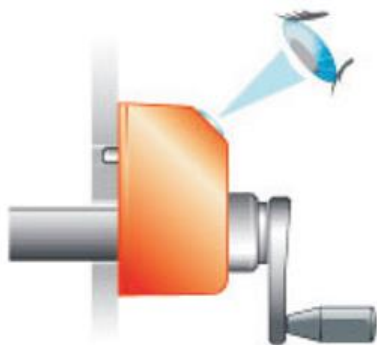
Datasheet

Pitch

pitch [mm]	measure after 1 revolution [mm]	maximum shaft speed [U/min ⁻¹]
0,5	005	1000
0,50	050	120
0,7/5	007 5	600
1,0	010	800
1,00	100	60
1,2/5	012 5	600
1,5	015	500
1,7/5	017 5	400
2,0	020	350
2,5	025	300
3,0	030	250
4,0	040	200
5,0	050	150
6,0	060	120
8,0	080	75
10,0	100	60

Mounting Position

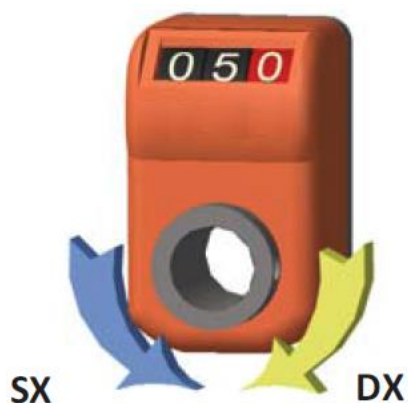
View A - horizontal



View B - vertical



Counting Direction



Display



Standard



Optional (2RR)



Optional (3RN)



Datasheet

Ordering Example

Type **OP2** - **A** - **2,5** - **DX** - **10** - **R** - **I18**

View
A = horizontal
B = vertical

Pitch
Measure after one revolution
 see table

Counting Direction
DX = clockwise ⌚
SX = anti-clockwise ⌚

Hollow Shaft Diameter [mm]
8 = Ø8 H7
10 = Ø10 H7
12 = Ø12 H7

Color
R = orange; RAL2004
G = black; RAL9005
GR = grey; RAL7004

Axis Distance
I18 = 18 mm (standard)
I22 = 22 mm (on request)

Accessories (you can find additional information on the respective data sheets)

Polycarbonate spacer flange (FL)



Anodized aluminium movement knob (DK)



Anodized aluminium shaft block flange (FKE)

