

Datasheet

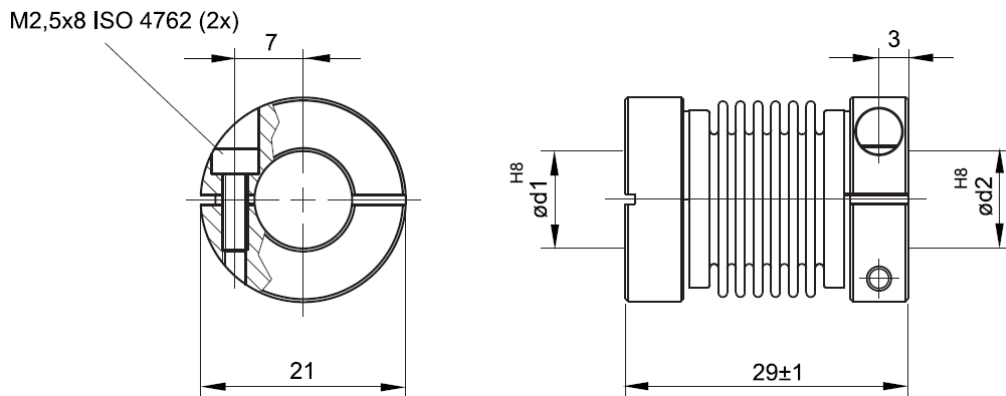
- Bellows Coupling - stainless steel bellows
- With clamping hubs
- Backlash-free and angularly aligned transmission of rotary motions
- Optimum compensation of misalignments
- High torsional stiffness
- Low restoring forces
- Vibration-damping effect



Mechanical Data

Material	Flange Bellows	aluminium anodised stainless steel
Weight		~ 15 g
Speed		< 10.000 min ⁻¹
Torque		< 120 Ncm
Offset of Shafts		radial ±0,25 mm axial ±0,4 mm angular ±4 °
Torsion Spring Stiffness		150 Nm/rad
Radial Spring Stiffness		25 N/mm
Moment of Inertia		9 gcm ²
Tightening Torque of Screw		< 100 Ncm
Temperature Range		-30 °C ... +120 °C

Dimensions



Ø d1	Ø d2							Ordering Example
	4	5	6	63	8	95	10	
4	X	X	X	X	X	X	X	
5		X	X	X	X	X	X	
6			X	X	X	X	X	
63				X	X	X	X	BKXK-2129-63-08
8					X	X	X	
95						X	X	
10							X	

Ø63 ≙ Ø6,35 mm ≙ Ø1/4 inch
Ø95 ≙ Ø9,52 mm ≙ Ø1/8 inch