

Datasheet



Highly compact gearbox (worm wheel gearbox) for various industrial applications, in particular for automation and robotics; applicable for motorized or manually adjustable rotary movements.

- Housing made of anodized aluminium, shafts made of steel PR80-Pronox with surface hardening treatment (high wear and corrosion resistance).
- Transmission ratios: **1:1 – 1:2,5 – 1:5 – 1:7,5 – 1:10 – 1:12,5 – 1:15 – 1:25 – 1:30**
- Hollow shafts in various designs offer a wide range of mounting options.
- Flanges for direct connection to machine, motors, and display with position indicators.
- Available types:
 - **RD50** gearbox
 - **RD50S** with magnetic sensor
 - **RD50M** with permanent magnet motor
 - **RD50MS** with permanent magnet motor and magnetic sensor
 - **RD50MR** with gear motor
 - **RD50MRS** with gear motor and magnetic sensor.

i For continuous use, contract our technical service: In this type of application, a grease nipple is fitted which must be refilled according to the operating conditions.

Performance table

Transmission ratio		1:1	1:2,5	1:5	1:7,5	1:10	1:12,5	1:15	1:25	1:30
Efficiency	%	72	74	60	61	54 ¹⁾	39 ¹⁾	45 ¹⁾	25 ¹⁾	29 ¹⁾
Input torque	Nm	13,95	5,42	3,32	2,19	1,84	2,04	1,48	1,62	1,13
Output torque	Nm	10	10	10	10	10	10	10	10	10

¹⁾ Irreversible

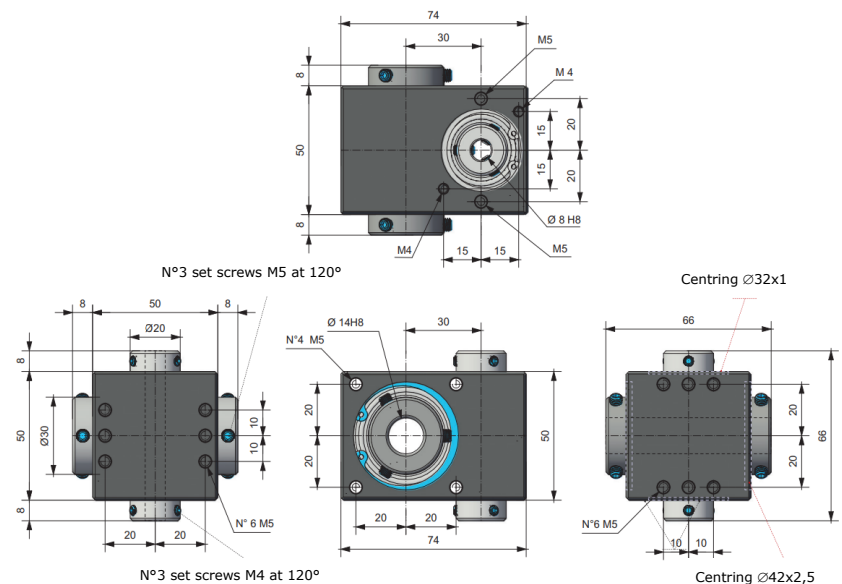
Datasheet

Technical characteristics

FA * = Input axial load	100 N
FR ** = Output axial load	200 N
FA * = Input radial load	1.000 N
FR ** = Output radial load	2.000 N
Backlash	max. 0,75°
Input rotation speed	max. 5.000 rpm
Transmission ratio	1:1 – 1:2,5 – 1:5 – 1:7,5 – 1:10 – 1:12,5 – 1:15 – 1:25 – 1:30
Input torque	see performance table
Output torque	10 Nm
Operating temperature	-20 ... 90 °C
Lifetime	10.000 h
Dimensions Housing Hollow shaft	50 x 50 x 74 mm Ø8H8 (outer diameter Ø20 mm), Ø14H8 (outer diameter Ø30 mm)
Material Housing Hollow- / Solid shaft	Aluminium, black anodised PR80-Pronox surface hardening
Weight	730 g
Lubrication	Klüber AG 11-462 (grease)

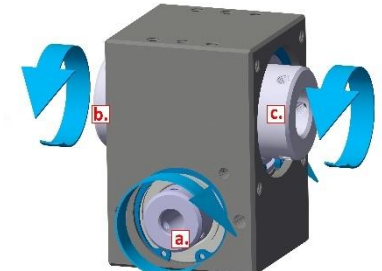
Dimensions

RD50



All dimensions in mm


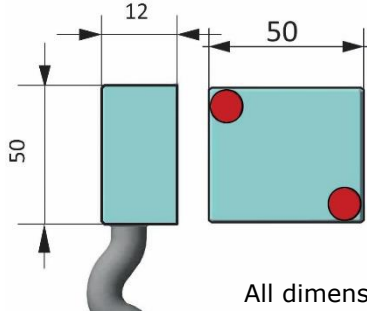
Transmission ratio



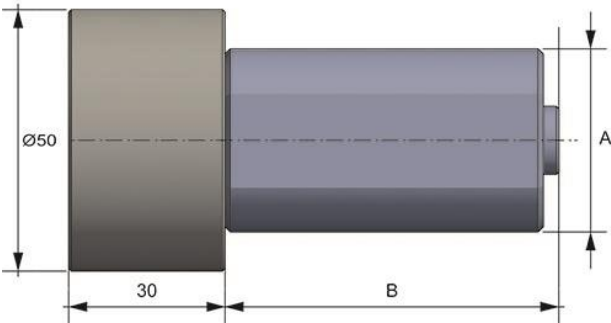

a. Input shaft: fast shaft
b. Output shaft: slow shaft
c. Output shaft: slow shaft

Datasheet

Accessories

Incremental encoder	
	 <p>All dimensions in mm</p>
Dimensions	12 x 50 x 50 mm
Power supply	10 ... 30 VDC ±10%, 60 mA _{MAX}
Resolution	256 pulses/revolution
Output signals	Channels A – B Push-Pull output
Output current	20 mA _{MAX} per channel
IP-rating	IP66
Material	
Housing	Aluminium, black anodised
Operating temperature	-10 ... 70 °C
Relative humidity	10 ... 90%
Output	Cable shielded, Cable length 0,5 – 1 – 2 – 5 – 10 m *
Electromagnetic compatibility EMC	2004/108/CE

i The incremental encoder for RD50 converts the rotary motion of the gearbox output shaft into two channel quadrature pulses with a resolution of 256 pulses per revolution.

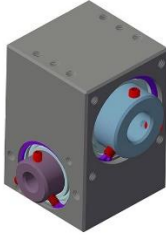
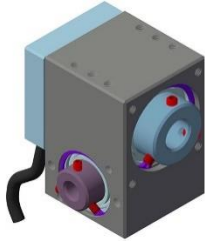
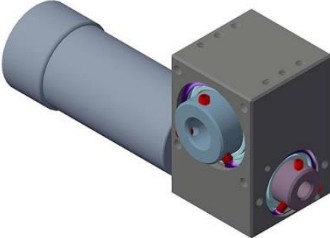
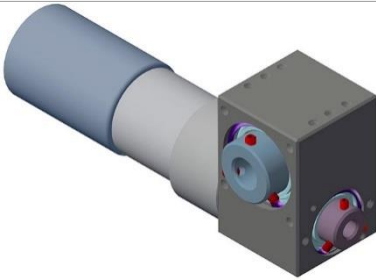
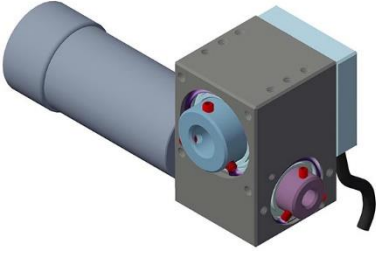
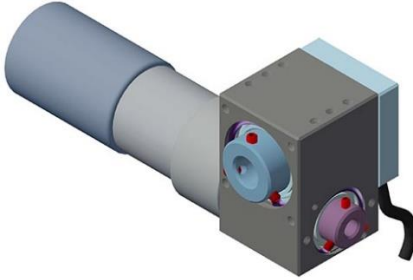
Motors							
 <p>All dimensions in mm</p>							
Motors M with coupling ¹⁾				Gear motors MR with coupling ²⁾			
A	B	rpm*	Torque (Nm)	A	B	rpm*	Torque (Nm)
35	56	2.200	0,06	30	79	450	0,4
40	98	5.600	0,2	42	113	420	0,7
36	65	1.1000	0,05				

¹⁾ suitable for alternate movements

²⁾ suitable for continuous movements

Datasheet

Types

<p>RD50 gearbox</p>	<p>RD50S with magnetic sensor</p>
	
<p>RD50M with permanent magnet motor</p>	<p>RD50MR with gear motor</p>
	
<p>RD50MS with permanent magnet motor and magnetic sensor</p>	<p>RD50MRS with gear motor and magnetic sensor</p>
	

Datasheet

Ordering example

Type		RD50S	-	1:10	-	ING
RD50	= gearbox					
RD50S	= with magnetic sensor					
RD50M	= with permanent magnet motor					
RD50MS	= with permanent magnet motor and magnetic sensor					
RD50MR	= with gear motor					
RD50MRS	= with gear motor and magnetic sensor					

Transmission ratios

1:1 - 1:2,5 - 1:5 - 1:7,5 - **1:10** - 1:12,5 - 1:15 - 1:25 - 1:30

Operating mode

ING = continuous use (optional), with grease nipple



For the magnetic sensor, specify the cable length, see table: **Technical characteristics ***
For the motors and gear motors, specify the rotation speed (rpm), see table: **Motors ***

Manufacturer: 

The manufacturer reserves the right to make changes to the products that it deems necessary for their improvement without prior notice.