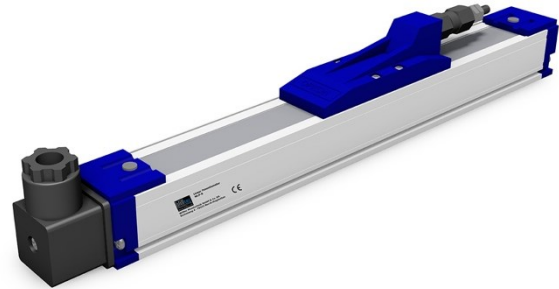


Datasheet

General features

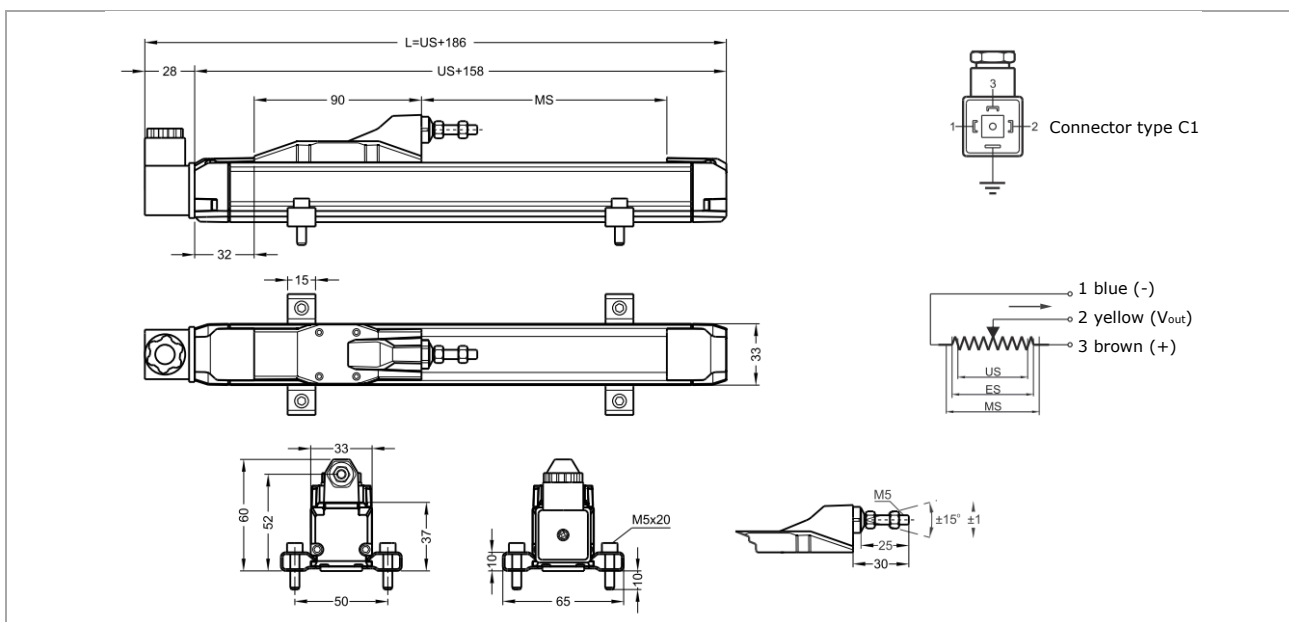
- Measuring range 100 to 1950 mm
- Long mechanical life: 100 million movements
- Excellent repeatability: <math><0.01\text{ mm}</math>
- Infinitely variable resolution
- Resistance:
 - 5 kOhm: 100 ... 600 mm,
 - 10 kOhm: 650 ... 1000 mm,
 - 20 kOhm: 1250 ... 1950 mm



Technical specifications

Measurement stroke	100 to 1950 mm
Linearity	$\pm 0.05\%$ (>200 mm), $\pm 0.1\%$ (130 - 200 mm), $\pm 0.2\%$ (75 - 129 mm), $\pm 0.5\%$ (<75 mm)
Repeatability	<math><0.01\text{ mm}</math>
Resolution	Infinitely variable
Resistance	5 kOhm: 100 ... 600 mm, 10 kOhm: 650 ... 1000 mm, 20 kOhm : 1250 ... 1950 mm
Resistance tolerance	$\pm 20\%$
Load resistance	100 kOhm min.
Recommended consumption current	<math><1\ \mu\text{A}</math>
Permissible applied voltage	28 VDC max.
Electrical connections	4 pin connector (standard)
Displacement speed	<math><1.5\text{ m/s}</math>
Mechanical life	100 million movement
Case dimensions	33 mm x 33 mm
Case material	Anodized aluminium
Mechanical fixing	Variable brackets
IP rating	IP40 (IP53 if mounted upside down)
Operating temperature	-20°C ... +80°C
Storage temperature	-30°C ... +90°C

Dimensions



WLP-R-MQF1-F2_DB_2023-03-27_EN

Datasheet

Measuring range

WLP-R-MQF1/-F2 (mm)	100	125	130	150	175	200	225	250	275	300
US (Useful Stroke)	100	125	130	150	175	200	225	250	275	300
MS (Mechanical Stroke)	104	129	134	154	179	204	229	254	279	304
L (Total Length)	286	311	315	336	361	386	411	436	461	486

WLP-R-MQF1/-F2 (mm)	325	350	375	400	450	500	550	600	650	700
US (Useful Stroke)	325	350	375	400	450	500	550	600	650	700
MS (Mechanical Stroke)	329	354	379	404	454	504	554	604	654	704
L (Total Length)	511	536	561	586	636	686	736	786	836	886

WLP-R-MQF1/-F2 (mm)	750	800	850	900	1000	1250	1500	1750	1950
US (Useful Stroke)	750	800	850	900	1000	1250	1500	1750	1950
MS (Mechanical Stroke)	754	804	854	904	1004	1254	1504	1754	1954
L (Total Length)	936	986	1036	1086	1186	1436	1686	1936	2136

Ordering example

Type	WLP-R	-	MQF2	-	500	-	D	-	5K	-	C1
Category											
M	= medium; Ohm (resistance)										
Type of construction											
Q	= quadratic										
Location of electrical connection											
F	= frontal										
Connection type											
1	= cable										
2	= connector										
Measurement stroke (mm)	100 ... 1950 mm (see table)										
Linearity (%)											
A	= ±%0.5 (<75 mm)										
B	= ±%0.2 (75 - 129 mm)										
C	= ±%0.1 (130 - 200 mm)										
D	= ±%0.05 (>200 mm)										
Resistance (kOhm)											
5K	= 5 kOhm: 100 ... 600 mm										
10k	= 10 kOhm: 650 ... 1000 mm										
20k	= 20 kOhm: 1250 ... 1950 mm										
Electrical connection											
C1	= 4 pin connector (standard)										
C5	= 5 pin round connector (optional)										
1M	= 1 meter cable (optional), open cable end										

Without prior notice, the products may be subject to modifications that the Manufacturer reserves to introduce as deemed necessary for their improvement.