

# Datasheet



Electronic display with preselection function, programmable

## Features at a glance

- Display with 6-digits process value (PV) and 6-digits set value (SV)
- Operation with 1 set value from -9999 to +999999
- Reset-, Pause-, Ch-A- and Ch-B- counting inputs
- Relay output or transistor output (optional)
- NPN/PNP type operation
- Reset automatically when preset is reached or manually by key
- INC, DEC, INC/INC, INC/DEC, UP/DOWN x1 / x2 / x4 counting with phase shifting property
- Multiplication coefficient and decimal point position



## Mechanical characteristics

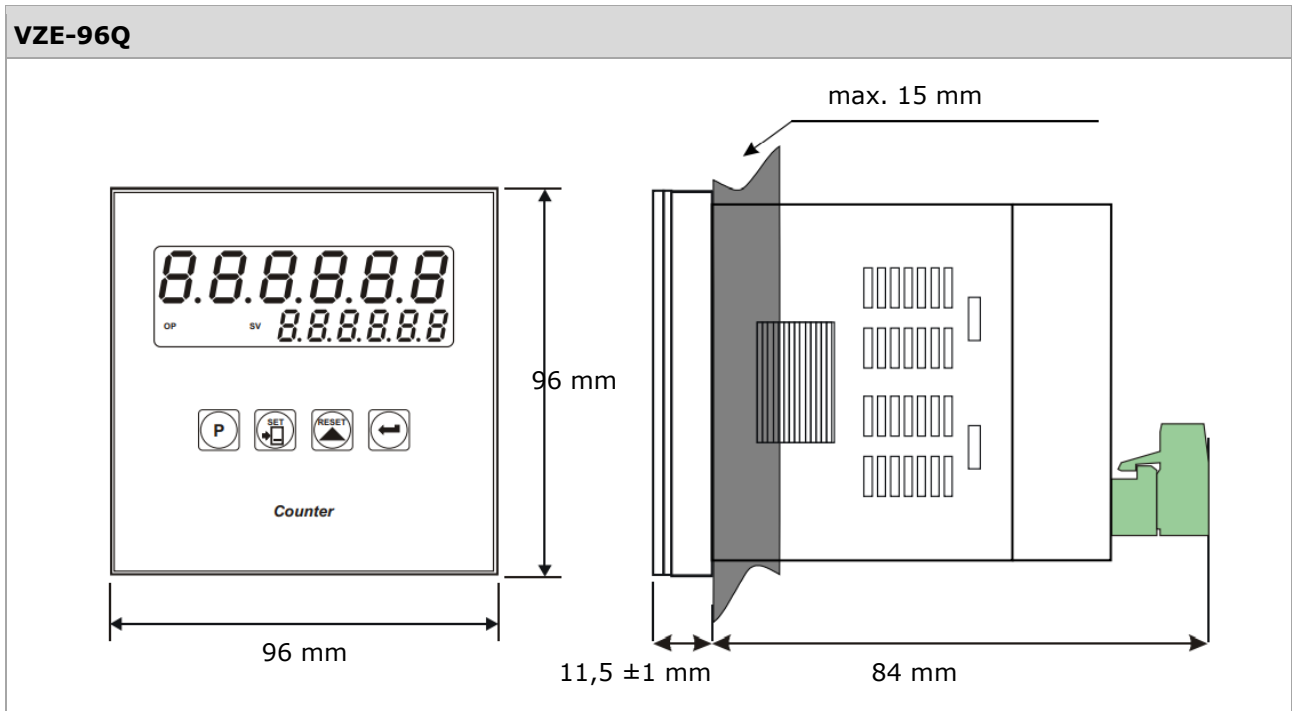
Dimensions	96 x 96 mm (W x H); Depth: 96 mm
Weight	340 g
Process value display	13.2 mm, red, 6-digits; LED display
Set value display	8 mm, green, 6-digits; LED display
Storage temperature	-40 °C to +85 °C
Operating temperature	0 to +50 °C
Humidity	0 to 90% (no condensing)
IP-rating	IP65 (front side), IP20 (rear side)

## Electrical characteristics

Counting inputs (Ch-A; Ch-B)	switch, proximity
Capacitive sensor or encoder	
Reset input	switch, proximity / automatic or manual
Pause input	switch, proximity
Sensor type	NPN or PNP
Frequency	max. INC,DEC,INC/INC,INC/DEC,UP/DOWN max. 20 kHz.x1 / x2 / x4
Phase shifting	max.10 kHz
Reset pause	2 to 50 ms
Sensor input	12 VDC (±40%) max. 50 mA
Relay output Transistor output (optional)	5 A at 250 VAC (resistive load)
Power supply	230 VAC (±15%) 50/60 Hz - 2,3 VA 115 VAC (±15%) 50/60 Hz - 2,3 VA 24 VAC (±15%) 50/60 Hz - 2,3 VA 24 VDC (±15%, +10%) - 4 W

# Datasheet

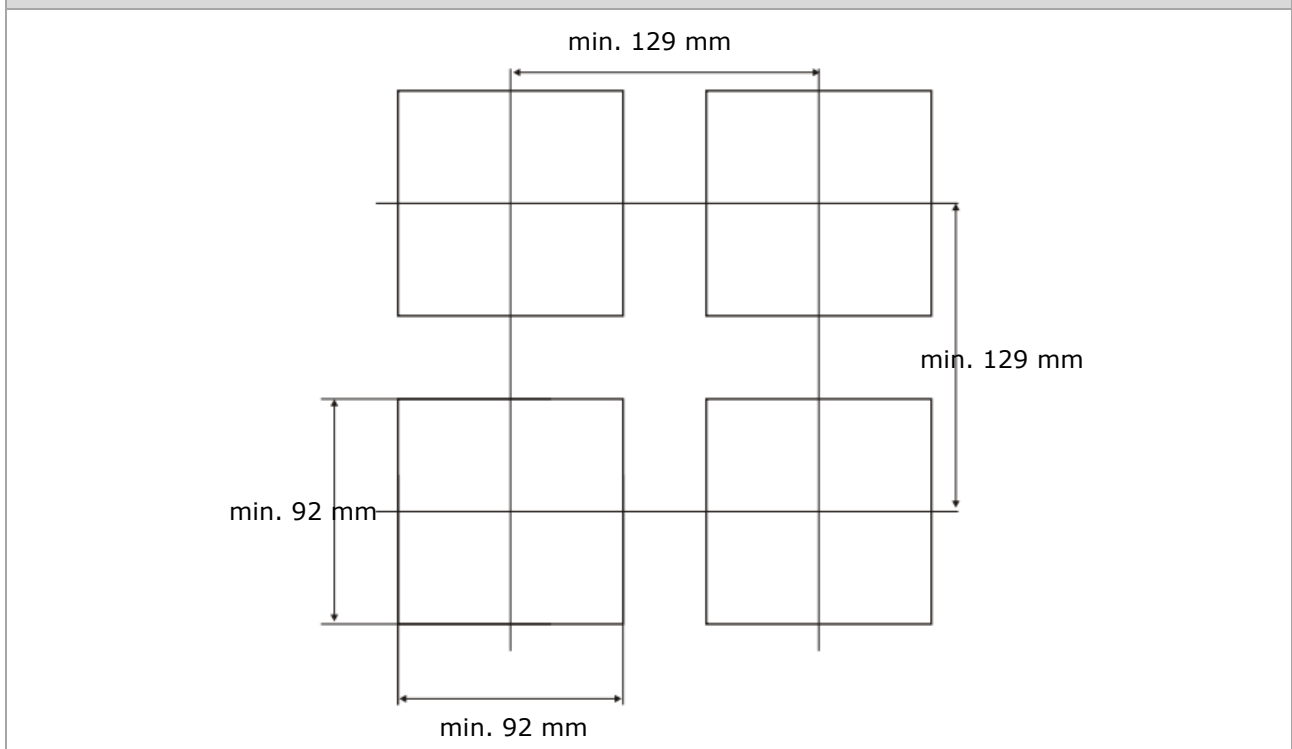
## Dimensions



Front side

Side

## Panel cut-out

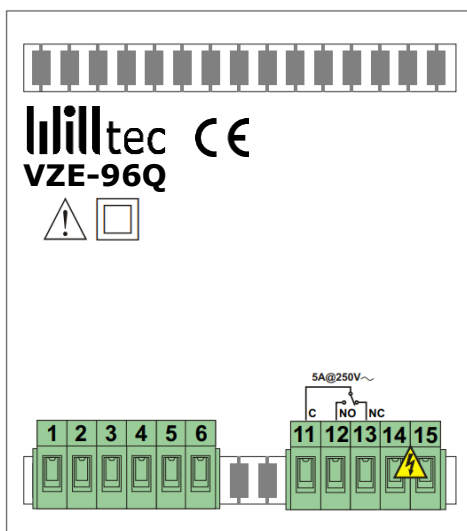


# Datasheet

## Electrical connection Terminal strip

**i** The electrical wiring of the device must conform to the following electrical connection diagram to avoid damage to the process being controlled and injury to persons.

### VZE-96Q



Rear side


PIN	Signal/Function		
1	Power supply Sensor		12 VDC ( $\pm 40\%$ ) max. 50 mA
2			0 VDC
3	Counting inputs		Ch-A
4			Ch-B
5			Pause
6			Reset
18	Relay output Transistor output (optional)	NO	5 A at 250 VAC
19		C	
20		NC	
21	Power supply input	N	115 VAC ( $\pm 15\%$ , +10%) 50/60 Hz 230 VAC ( $\pm 15\%$ , +10%) 50/60 Hz
22		L	24 VDC ( $\pm 15\%$ , +10%) 50/60 Hz 24 VDC ( $\pm 15\%$ , +10%) - 4 W


**i** **Power supply**  
The power supply of the preset counter must be specified via the ordering code.

# Datasheet

## Ordering example

<b>Type</b>	<b>VZE</b>	-	<b>96Q</b>	-	<b>24</b>	-	<b>TA</b>
<b>Dimensions</b>							
<b>96Q</b>	= 96 x 96 mm						
<b>Power Supply</b>							
<b>24</b>	= 24 VAC/VDC (-15%, +10%) 50/60 Hz						
<b>115</b>	= 115 VAC (-15%, +10%) 50/60 Hz						
<b>230</b>	= 230 VAC (-15%, +10%) 50/60 Hz						
<b>Signal/Function</b>							
<b>TA</b>	= Transistor output (optional)						

 Variants that cannot be configured from the ordering example are available on request as a special version.

 Depending on the application, we offer you the electronic preset counter in a wide variety of designs with customer-specific options. Information on the individual preset counters can be found on the corresponding data sheet.

Type	VZE-48Q	VZE-72Q	VZE-96Q	VZE-96x48
				
Dimensions (W x H x D) mm	48 x 48 x 95	72 x 72 x 95,5	96 x 96 x 96	96 x 48 x 96
LED display Process value (PV)	8 mm, red, 6-digits	10,8 mm, red, 6-digits	13,2 mm, red, 6-digits	13,2 mm, red, 6-digits
LED display Set value (SV)	8 mm, green, 6-digits	8 mm, green, 6-digits	8 mm, green, 6-digits	8 mm, green, 6-digits

The manufacturer reserves the right to make changes to the products that it deems necessary for their improvement without prior notice.